


SLASH 44 ULTIMATE SETUP SHEET

Driver: Factory Set Up
 Date: _____ Air Temp: _____
 Event: _____
 Track/City: _____
 Qual./Finish _____

FRONT SUSPENSION

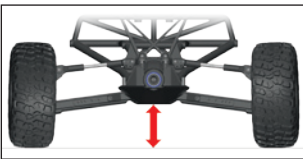
SHOCK POSITION



A TOP
 B TOP
 C TOP


2 BOTTOM
 3 BOTTOM
 4 BOTTOM
 5 BOTTOM

RIDE HEIGHT



Driveshafts level

CAMBER LINK POSITION



Position 1
 Position 2
 Position 3
 Position 4


C-hub Top
 Bottom

TOE ANGLE

In
 Out

0°

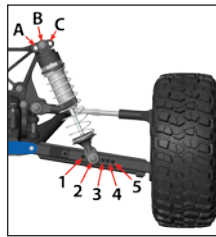
CAMBER ANGLE



Negative 1.5°

REAR SUSPENSION

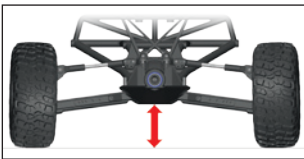
SHOCK POSITION



A TOP
 B TOP
 C TOP

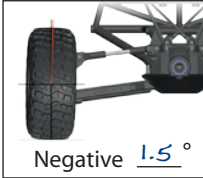
2 BOTTOM
 3 BOTTOM
 4 BOTTOM
 5 BOTTOM

RIDE HEIGHT



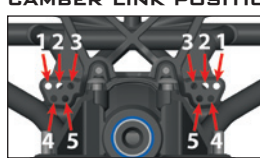
Shafts slightly above level

CAMBER ANGLE



Negative 1.5°

CAMBER LINK POSITION



Position 1
 Position 2
 Position 3
 Position 4
 Position 5

TOE ANGLE

4° (Blue as labeled)
 1° (Blue reversed)
 2.5° (Black plastic)

Top
 Bottom

BUMP STEER

Flat Down
 Flat Up

FRONT SHOCKS

Springs (Color) Black Preload 4 mm
 Oil 30 wt Piston 1.5 mm

REAR SHOCKS

Springs (Color) Black Preload 6 mm
 Oil 30 wt Piston 1.6 mm

WHEELS / TIRES

Front	Rear
Tire Type <u>SI Compound</u>	Tire Type <u>SI Compound</u>
Tire Insert <u>BFGoodrich</u>	Tire Insert <u>BFGoodrich</u>
Wheel <u>Stock Slash</u>	Wheel <u>Stock Slash</u>

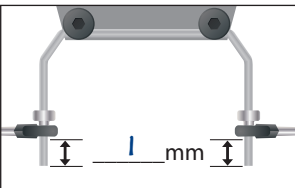
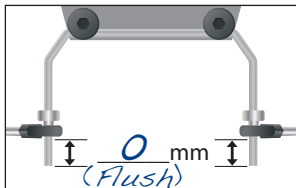
MOTOR / DRIVETRAIN

Motor Velineon 3500 Pinion 13T
 Battery _____ Spur 54T

Slipper ESC VXL-35
 Center Differential 100K wt

Front Differential 30K wt Rear Differential Greased wt

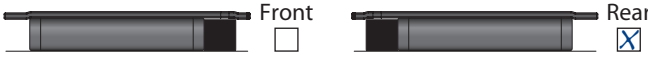
SWAY BARS

Front	Rear
	
<input type="checkbox"/> Silver <input checked="" type="checkbox"/> Black	<input type="checkbox"/> Silver <input checked="" type="checkbox"/> Black

BODY TYPE	TRACK CONDITIONS
<u>Traxxas</u>	Surface: <input type="checkbox"/> Smooth <input type="checkbox"/> Med. <input type="checkbox"/> Rough
<u>Slash 4x4</u>	Traction: <input type="checkbox"/> High <input type="checkbox"/> Med. <input type="checkbox"/> Low
	Size: <input type="checkbox"/> Tight <input type="checkbox"/> Med. <input type="checkbox"/> Open
	Watered: <input type="checkbox"/> Yes <input type="checkbox"/> No

WEIGHT / BALANCE

Weight Bias: Front _____ % Rear _____ % Weight: _____ lbs.
 Battery Placement:



Front Rear



1100 KLEIN ROAD, PLANO TEXAS 75074
 1-888-TRAXXAS, TRAXXAS.COM