

RC10TCM FACTORY TEAM

#30121 RC10TC7.1 Factory Team Kit



1:10 Scale Electric 4WD Touring Car Kit Manual & Catalog

TEAM ASSOCIATED



Designed in California, USA

:: Introduction

Thank you for purchasing this Team Associated product. This assembly manual contains instructions and tips for building and maintaining your new RC10TC7.1. Please take a moment to read through this manual to help familiarize yourself with these steps.

We are continually changing and improving our designs; therefore, actual parts may appear slightly different than in the illustrations. New parts will be noted on supplementary sheets located in the appropriate parts bags. Check each bag for these sheets before you start to build.

:: KIT Features

Team Associated is proud to release its next edition of 1:10th scale 4WD electric touring car kits, the RC10TC7.1-FT, an evolution of its successful predecessor, the TC7.

The touring car racing scene has grown to a refined group of elite level race cars, and the Engineers behind the doors of Area-51 have been hard at work to make sure the TC7.1 is top of the heap. The RC10TC7.1-FT car kit comes packed full of Factory Team options necessary to keep you racing at the highest level.

Advancements in track surfaces and tire compounds have allowed the current generation of on-road cars more grip and higher corner speeds. While maintaining most of the components from the TC7, the focus for the TC7.1 was to allow for a lower center of mass, to take best advantage of the higher grip levels. Starting with the ultra-smooth "short" Kashima Coat shocks mounted low on the chassis, and rounding out with DCV drive shafts for the front end, no corners were left untouched to make the smoothest power delivery and optimal load transfer. The RC10TC7.1-FT gives you everything necessary to keep you in front of the pack. All without sacrificing low part count or affordability. A brilliant successor with a well-rounded evolution, it's easy to see that the RC10TC7.1-FT kit is... another "Champion by Design" from Team Associated!

:: Key Features

- Fox "short" shocks with genuine Kashima Coating
 - "Short" shock lowers overall center of mass allowing for more stability in high grip conditions
 - Ultra-smooth Kashima Hard Coating for minimal friction and extended wear
 - Hard coated shock shafts with polished finish
 - Machined piston and bushing sets for the most precise build
 - Updated bladder profile for consistent performance
- DCV drive shaft assemblies included for front drive
 - DCV (dual CV) drive shafts are double-cardon joints, allowing free rotation of drive shaft at extreme angles typical of the front drive due to addition of steering angle to suspension arm angle
 - The use of DCV's results in smooth steering through larger corners by eliminating the "chatter" typical of standard CV axles
- Front spool with replaceable hardened steel outdrives
 - Hardened steel surface for minimum wear
 - CVA bone blade no longer necessary, eliminating failure of blade under impact. Steel spool outdrive cups are replaceable in the event of failure
- Narrow chassis with optimized flex characteristics
 - 2.25mm graphite laminate for optimized flex characteristics
 - A narrow 88mm wide to minimize chassis dragging at maximum chassis roll angles
 - Chassis ballast mass mounting locations to fine tune mass balance
 - Updated chassis pockets for improved belt clearance
- Ultra-light weight carbon composite suspension components
 - Carbon composite material used for the best combination of strength at minimized mass
 - Optimized suspension arm length and shock mounting positions
 - Pivot ball on inner hinge pin allows free pin movement at any toe or kickup angle
 - Insert system for precise adjustment of toe and inner pin width
- Independent arm mount design to allow maximum flex through entire chassis length, resulting in better grip on all track conditions
- One-piece motor mount
 - Central mounting to allow free chassis flex in either direction
 - One-piece design ensures proper spur/pinion gear alignment
 - Floating spur helps to center flex point of top plate giving better overall traction
- Efficient drive belts
 - Optimized length for better on power steering
 - Softer material for a more efficient drive-train
- Dual bellcrank steering system with low center of mass
 - Low profile mounting for an overall lower center of mass
 - Optimized Ackermann and steering rates
 - Horizontal ballstuds for fine Ackermann adjustments
 - 8 precision bearings for accurate swing motion
- Floating servo mount
 - Servo mounts to chassis center to allow equal chassis flex in both directions and a tweak free assembly
 - Mount ties to steering bellcrank posts for stable servo positioning
 - Slotted servo mount design allows fit for almost any servo size
- Vertical ball stud bearing caps
 - Optimized position for inner ball stud
 - Vertical ballstud orientation allows for fine adjustments of roll center height
 - 3 link position options give precise control of camber gain
- Rear gear diff for maximum performance and minimal maintenance
 - Lightweight design
 - Durable composite construction
 - Optimized for a wide "tuning window" to maximize useable adjustability
 - Hard anodized aluminum outdrives for low wear and long life
- Titanium turnbuckles with turnbuckle eyelets for easy access to ball stud for adjustment
- 22 precision ball bearings

:: Items Needed

Your new FT TC7.1 comes unassembled and requires the following items for completion. (refer to catalog section for suggestions):

- 1:10th scale electric motor and electronic speed control
- 3.7V-7.4V LiPo, 6.6V LiFe, or 4.8V-7.2V NiMh/NiCd battery
- Battery charger (suited for, and particular to, one of the batteries mentioned)
- 2 channel surface transmitter, 2 channel receiver, and steering servo
- 1:10th scale 190mm polycarbonate touring car body
- Polycarbonate specific paint for body
- Strapping tape for battery
- 1:10th scale rubber (or foam) touring car tires, wheels and inserts

:: Other Helpful Items

- Silicone Shock Fluid (Refer to catalog for complete listings)
- Silicone Diff Fluid (Refer to catalog for complete listings)
- Thread Lock (AE Part #1596)
- Body Scissors (AE Part #1737)
- FT Hex Wrenches (AE Part #1518)
- Needle Nose Pliers
- FT Nut Drivers (AE Part #1519)
- Calipers or a Precision Ruler
- Reamer / Hole Punch
- Wire Cutters/ Hobby Knife
- Shock Shaft Pliers (AE Part #1675)
- Soldering Iron

Associated Electrics, Inc.
26021 Commercentre Dr.
Lake Forest, CA 92630







Customer Service
Tel: 949.544.7500
Fax: 949.544.7501

:: Hardware - 1:1 Scale View














Cap Head (shcs)

-  **1.6x5mm (91611)**
-  **2x5mm (31511)**



Set screw

-  **3x2.5mm (31500)**
-  **3x3mm (25225)**
-  **3x8mm (4670)**
-  **4x8mm (25227)**







Ballstuds

-  **Ti Nitride 3.25mm short (31374)**
-  **Black 5mm short (31280)**
-  **Ti Nitride 5mm short (31288)**
-  **Silver 5mm long (31283)**
-  **Ti Nitride 5mm long (31291)**
-  **Black 8mm short (31281)**
-  **Ti Nitride 8mm short (31289)**
-  **Silver 8mm long (31284)**
-  **Ti Nitride 8mm long (31292)**
-  **Black 10mm short (31285)**
-  **Ti Nitride 10mm short (31290)**
-  **Silver 10mm long (31285)**
-  **Ti Nitride 10mm long (31293)**





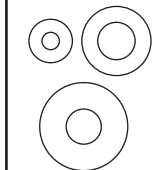
Nuts (lock/plain)

-  **M3 locknut (31550)**
-  **M4 locknut (91148)**













Flat Head (fhcs)

-  **2.5x6mm (4675)**
-  **2.5x10mm (31350)**
-  **3x5mm (31540)**
-  **3x6mm (31541)**
-  **3x8mm (25201)**
-  **3x10mm (25202)**






Shims and Washers

-  **1mm and 2mm blue shims (31286)**
-  **Washer (7337)**
-  **Bulkhead Shim (4617)**
0.5mm, 1mm, 2mm
-  **Axle & Diff shim (31162)**
-  **Gear Diff Shims (31348)**

Button Head (bhcs)

-  **2x4mm (31510)**
-  **2x5mm (31511)**
-  **2.5x4mm (4673)**
-  **2.5x6mm (31520)**
-  **2.5x8mm (31521)**
-  **3x5mm (31530)**
-  **3x6mm (31531)**
-  **3x8mm (31532)**
-  **3x10mm (25211)**
-  **3x12mm (89202)**
-  **3x14mm (25187)**
-  **3x16mm (89203)**

Ball Bearings

-  **4x7mm (31403)**
-  **4x8x3mm flanged (31331)**
-  **5x8mm (31400)**
-  **5x10x4mm (91560)**
-  **10x15x4mm (91563)**

Notes:

:: Table of Contents

1.....Cover	13-16.....Bulkheads, Spur Gear, and Steering Rack Build (Bags 12, 13)
2.....Introduction	
3.....1:1 Hardware "Fold Out"	16-19.....Caster Blocks/Rear Hubs Build (Bags 14, 15, 16)
4.....Table of Contents	19-23.....Bumper, Anti Roll Bar, and Electronics Build (Bags 17, 18)
5-6.....Shock Build (Bags 1, 2)	24-25.....Tuning Tips
6-8.....Spool and Differential Build (Bags 3, 4, 5)	26-27.....Gear Chart
9.....Turnbuckle Build (Bag 6)	28-35.....Catalog
9-10.....CVA/DCV Build (Bag 7)	36.....Setup Sheet "Kit Setup"
10-12.....Suspension Arms Build (Bags 8, 9, 10, 11)	37.....Setup Sheet "Blank"
	38.....Back Cover

:: Notes



This symbol indicates a special note or instruction in the manual.



This symbol indicates a Racers Tip.



Scanning this QR code will take you to Team Associated's Tech Tips. These will help you with your build and setup!



There is a 1:1 hardware foldout page in the front of the manual. To check the size of a part, line up your hardware with the correct drawing until you find the exact size. Each part in the foldout has a number assigned to it for ordering replacement parts.

Associated Electrics, Inc.
26021 Commercentre Dr.
Lake Forest, CA 92630



Customer Service
Tel: 949.544.7500
Fax: 949.544.7501

:: Shock Build - Bag 1 & 2 - Step 1

31510
M2x4mm
bhcs

#1596
thread lock

**Thread lock
not included!**

31747
TC7.1
shock
piston
(4x1.1)

21139
Steel washer
(2.6x6x0.5mm)

31746
TC7.1
shock shaft

31745
TC7.1 FT
shock body
(Fox
Kashima
Coat)

31753
TC7.1 shock
bottom cap
o-ring

Shock fluid
#5433
(37.5wt)

5407
Red
o-rings

31752
TC7.1
shock shaft
bushing

31753
TC7.1 shock
bottom cap

**Build four
shock shafts**

:: Shock Build - Bag 1 & 2 - Step 2

31757
TC7.1 shock
eyelet

4637
FT pivot
balls

Shock fluid
#5433
(37.5wt)

31757
TC7.1
shock cap

4637
FT pivot
balls

31752
TC7.1
bladder

**Build four
shocks**

:: Shock Build - Bag 1 & 2 - Step - 3

31756
TC7.1
shock cap
retainer

Bladder Installation

With the shaft extended 25%, place bladder on the top of the shock body, displacing the extra oil. While maintaining pressure on the bladder against the shock body, carefully lift one side of the bladder to allow any extra oil to escape. Place stock cap on top of bladder, and secure it by threading the aluminum cap retainer onto the shock body.

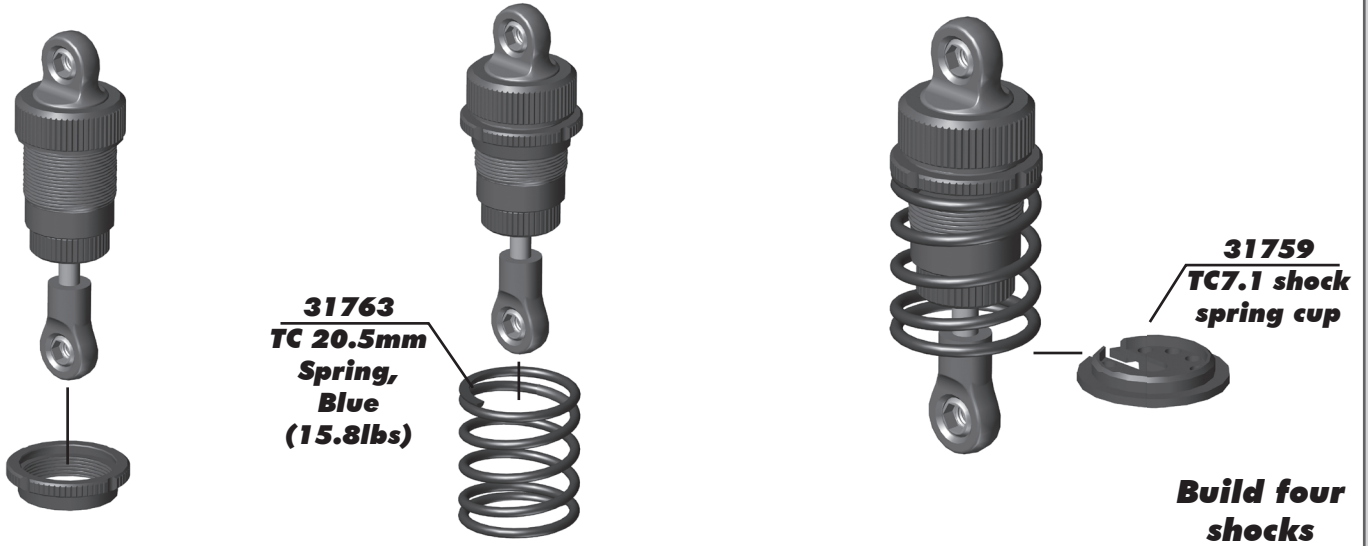
**Build four
shock collars**

31758
TC7.1 shock
collar o-ring

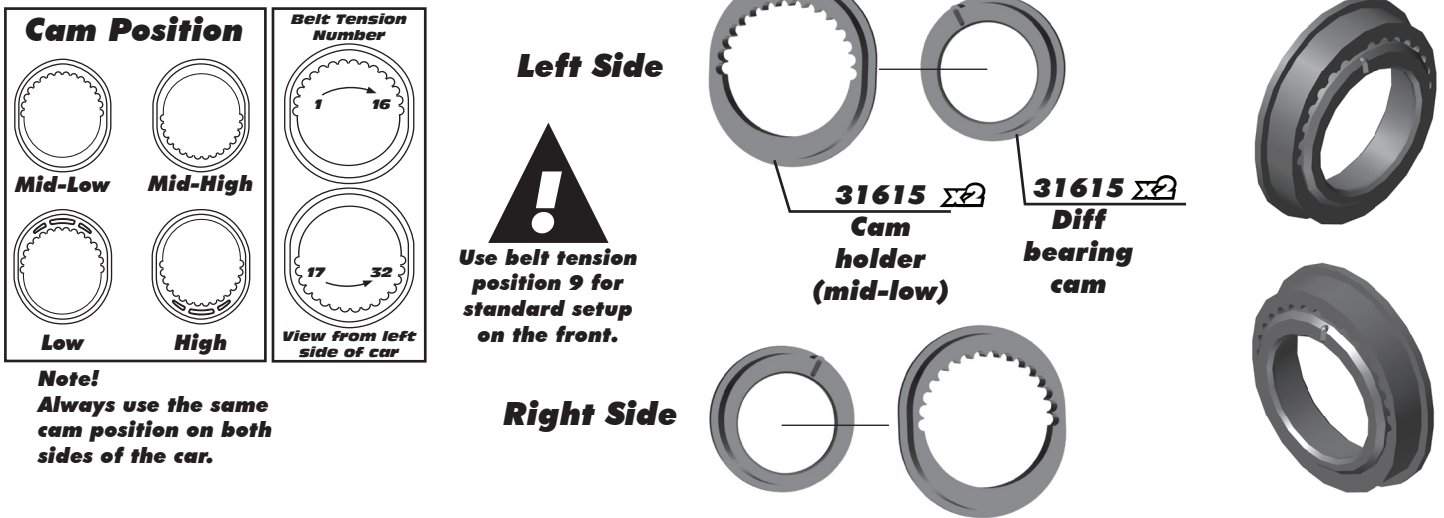
31758
TC7.1
shock collar

Shock Fluid
#5433
(37.5wt)

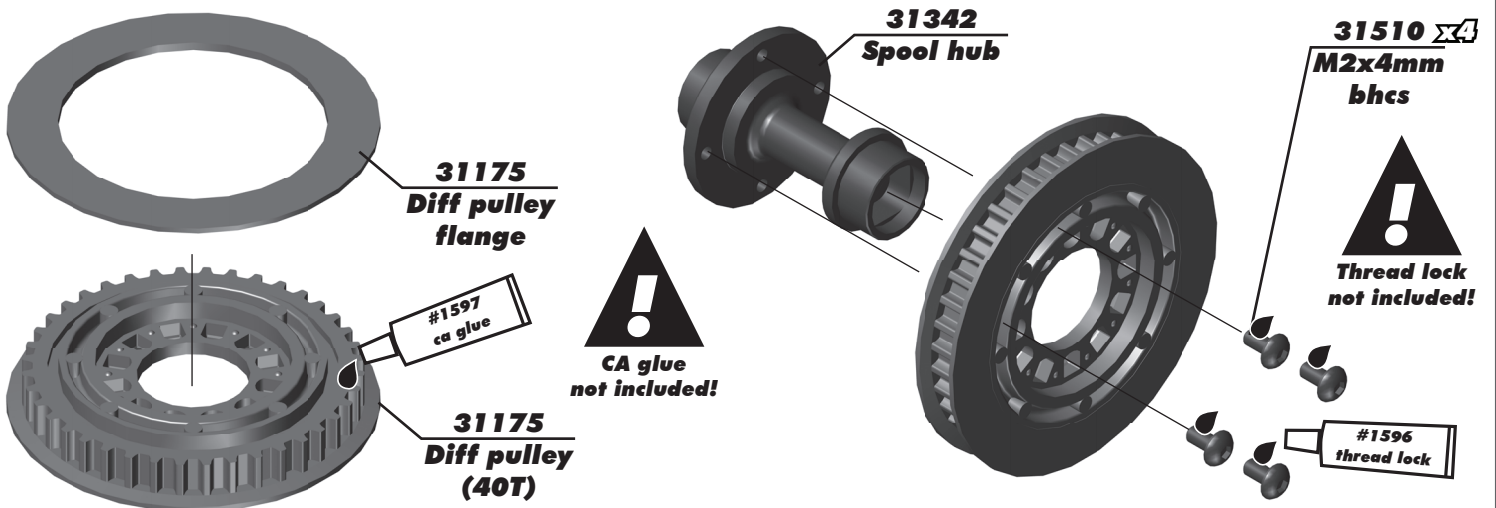
:: Shock Build - Bag 1 & 2 - Step 4



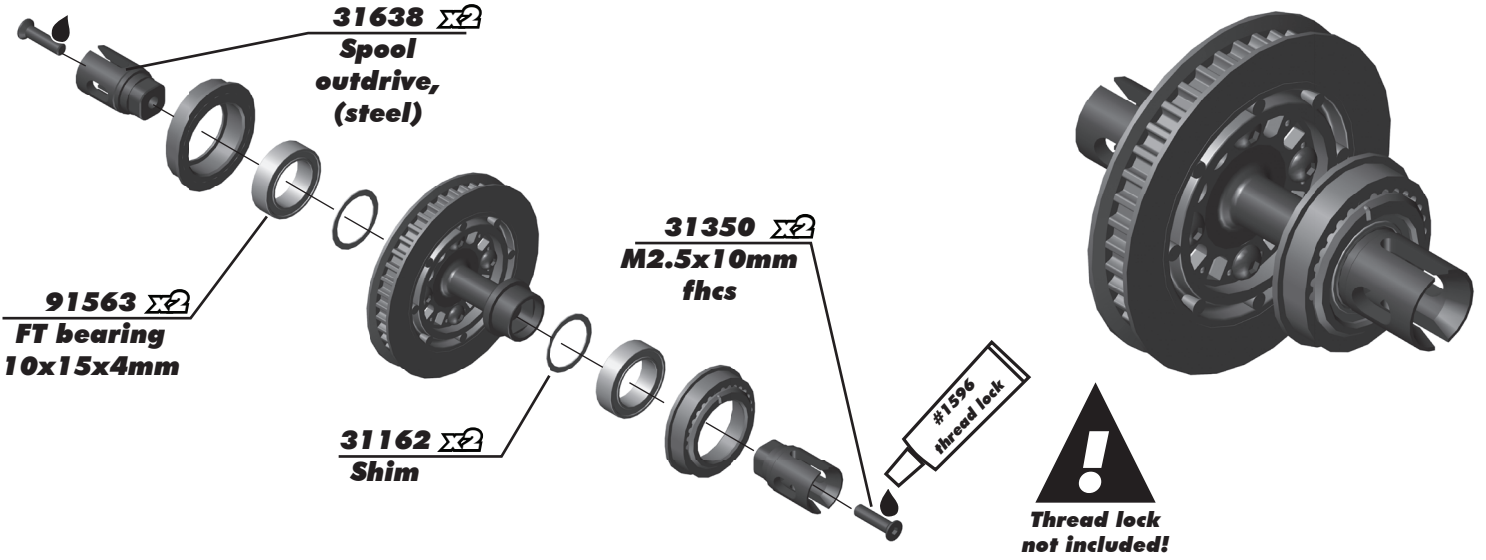
:: Spool and Differential Build - Bag 3, 4 & 5 - Step 1



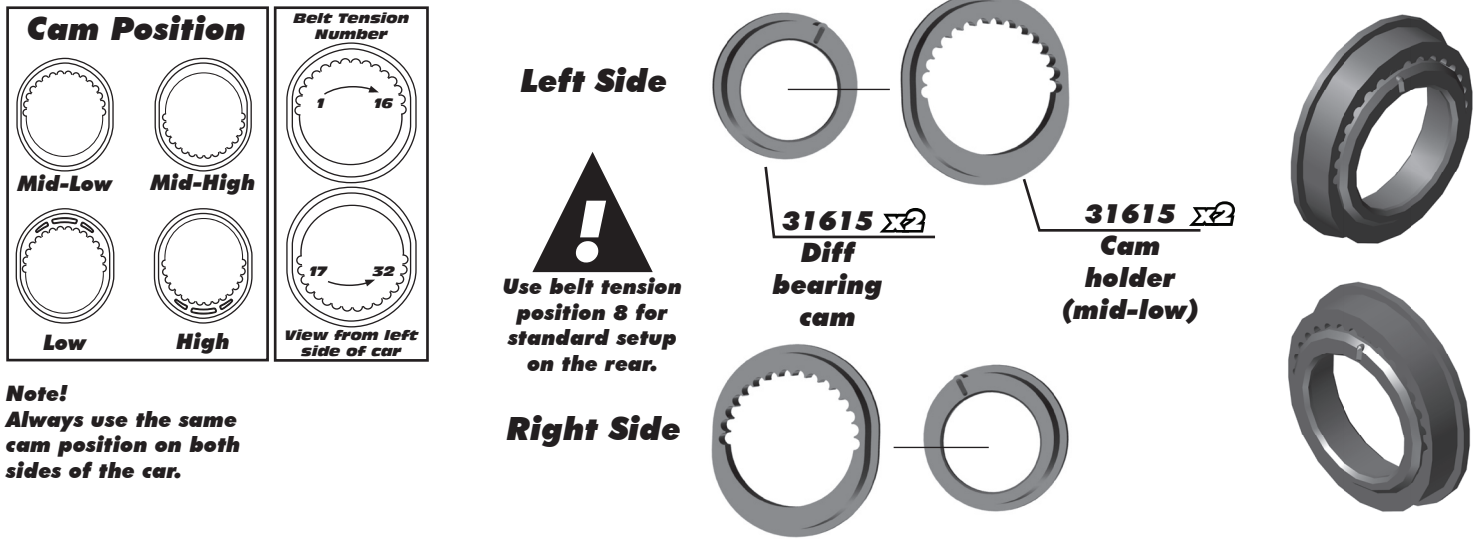
:: Spool and Differential Build - Bag 3, 4 & 5 - Step 2



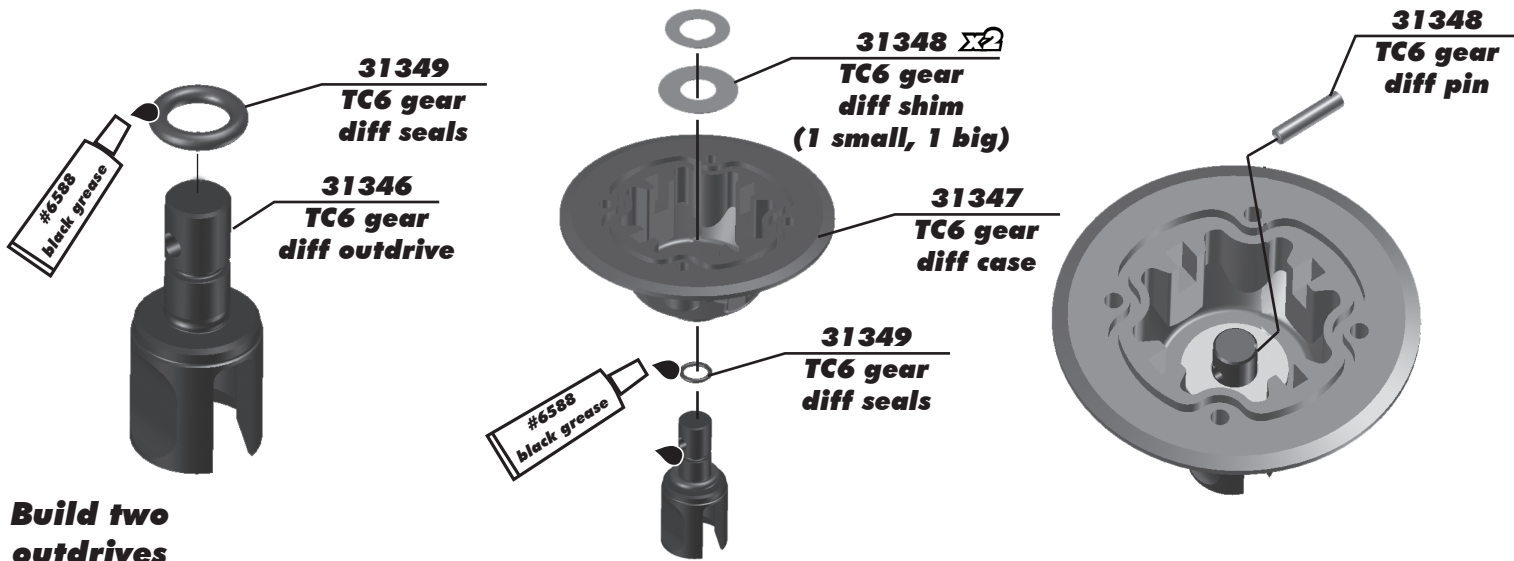
:: Spool and Differential Build - Bag 3, 4 & 5 - Step 3



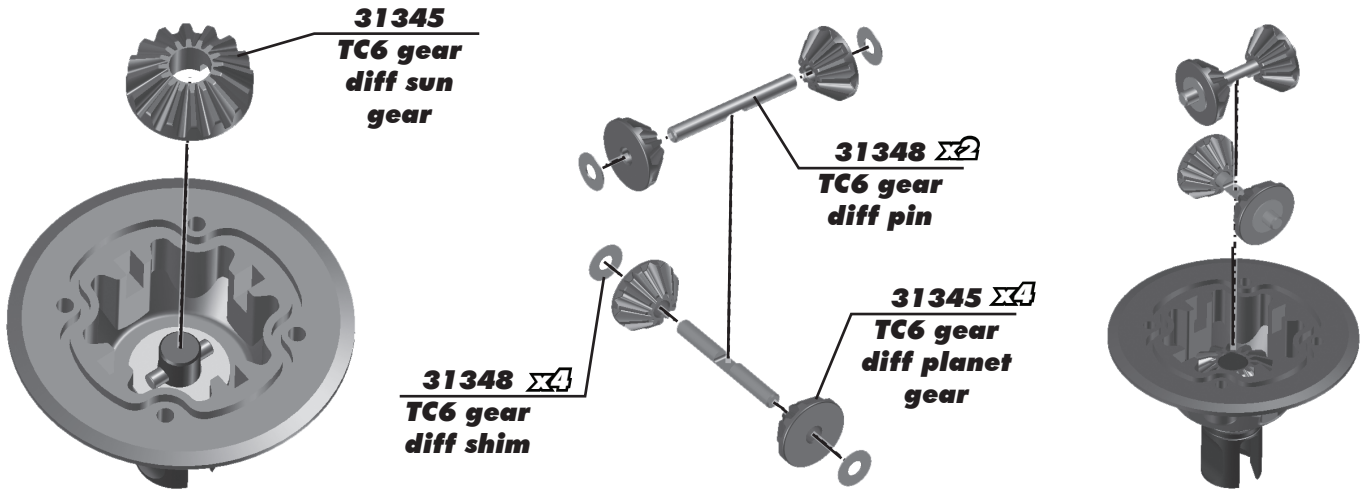
:: Spool and Differential Build - Bag 3, 4 & 5 - Step 4



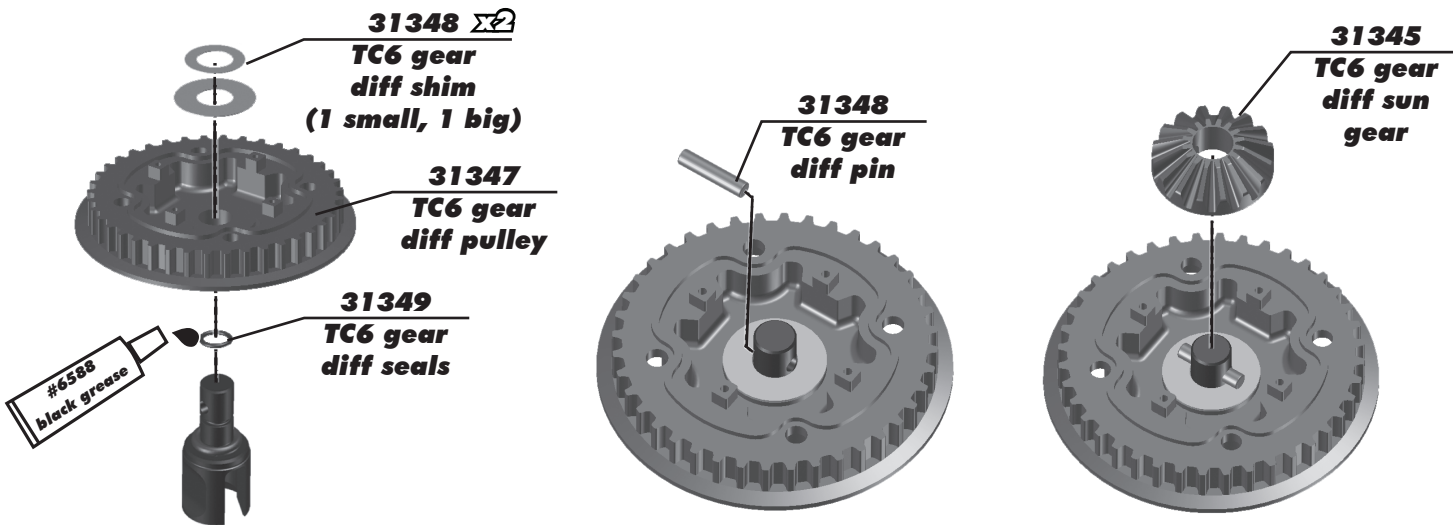
:: Spool and Differential Build - Bag 3, 4 & 5 - Step 5



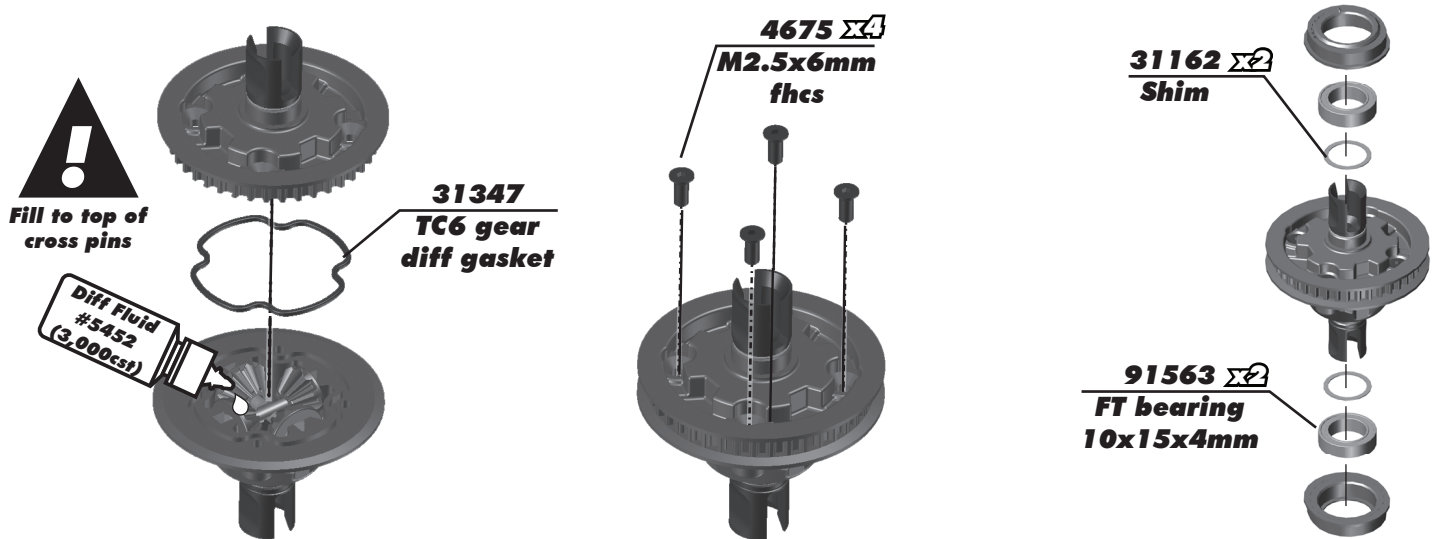
:: Spool and Differential Build - Bag 3, 4 & 5 - Step 6



:: Spool and Differential Build - Bag 3, 4 & 5 - Step 7

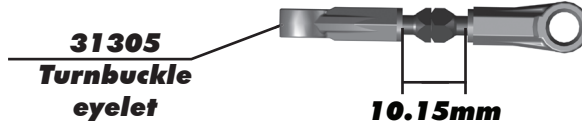


:: Spool and Differential Build - Bag 3, 4 & 5 - Step 8

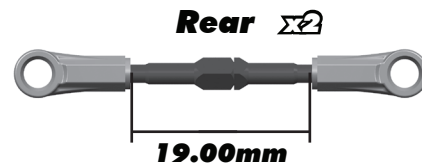
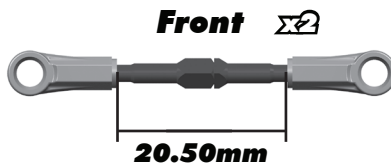


:: Turnbuckles Build - Bag 6 - Step 1

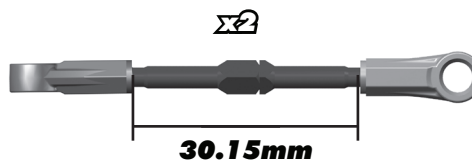
Servo Turnbuckle



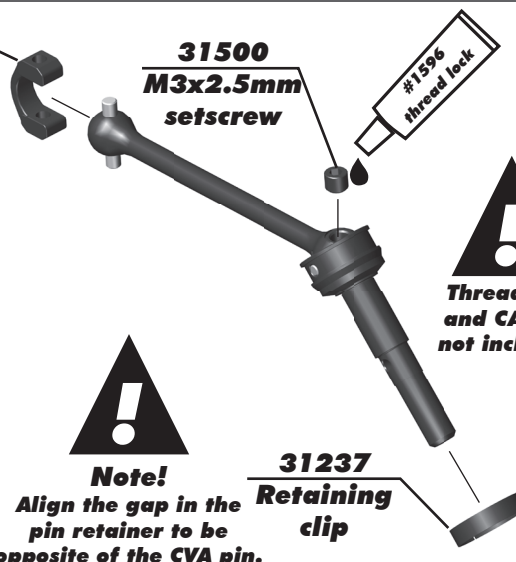
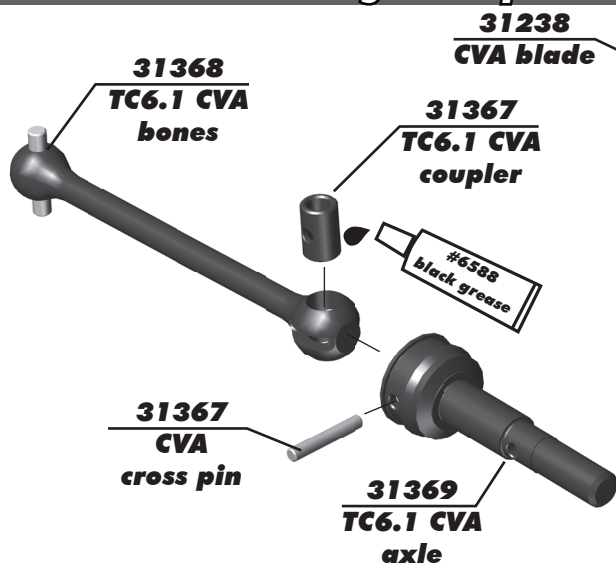
Camber Turnbuckle



Steering Turnbuckle



:: Rear CVA Build - Bag 7 - Step 1



Build two CVAs

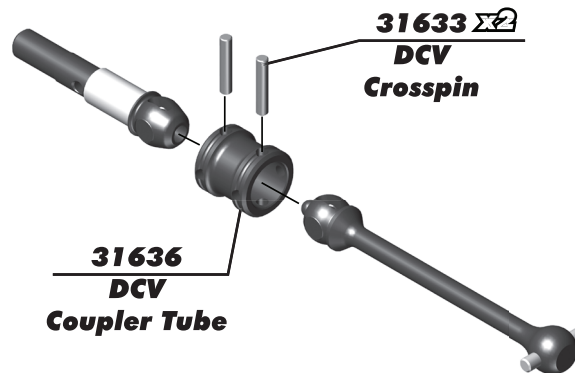
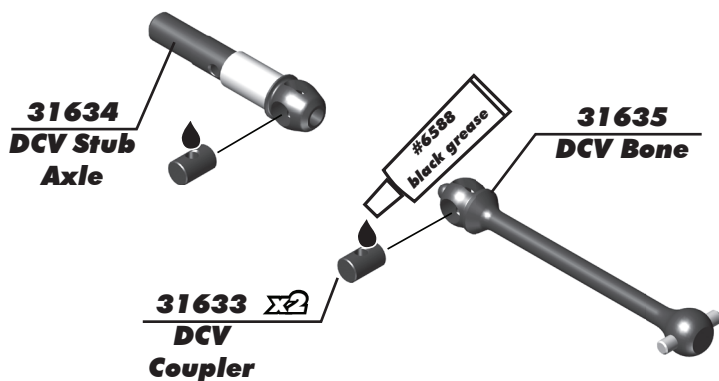


RACERS TIP!
place a drop of CA glue
on the pin retainer gap.



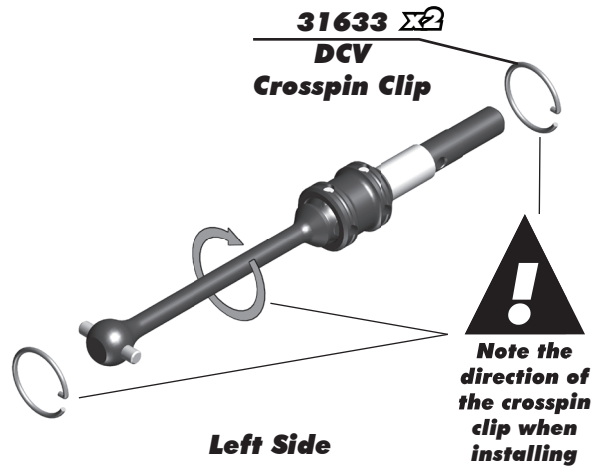
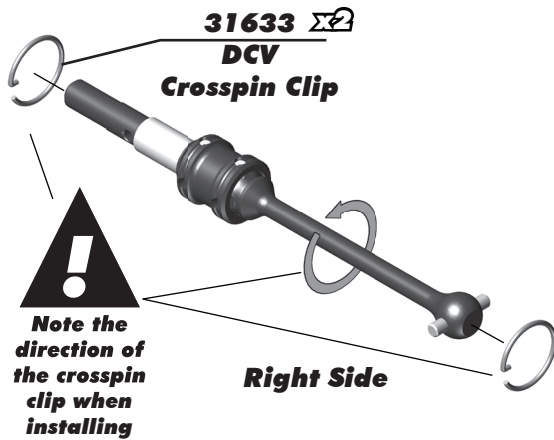
Note!
Align the gap in the
pin retainer to be
opposite of the CVA pin.

:: Front DCV Build - Bag 7 - Step 1



Build two DCVs

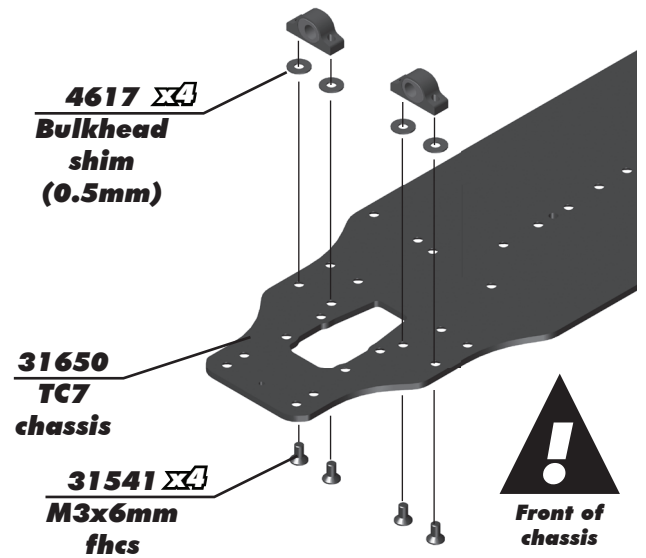
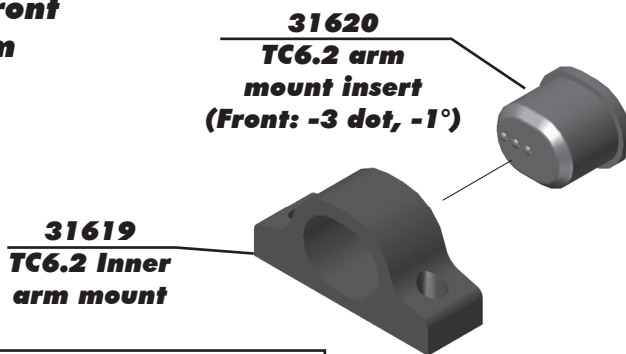
:: Front DCV Build - Bag 7 - Step 2



Build two DCVs

:: Suspension Arms Build - Bag 8, 9, 10, & 11 - Step 1

Build two front inner arm mounts

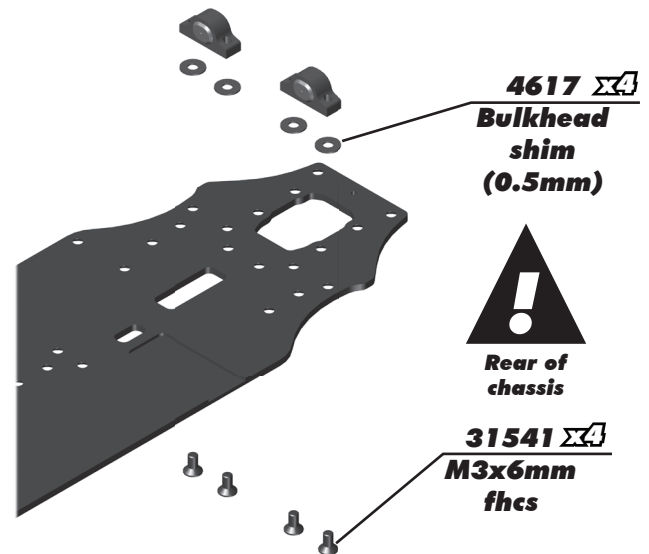
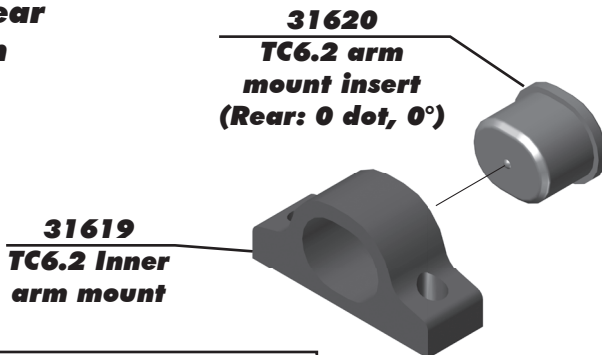


Arm Mount Inserts				
-3 DOT	-2 DOT	1 DOT	+2 DOT	+3 DOT
-1°	-1/2°	0°	+1/2°	+1°

Negative to the inside of vehicle.
Positive to the outside of vehicle.

:: Suspension Arms Build - Bag 8, 9, 10, & 11 - Step 2

Build two rear inner arm mounts

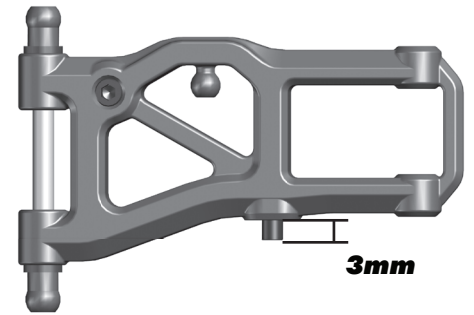
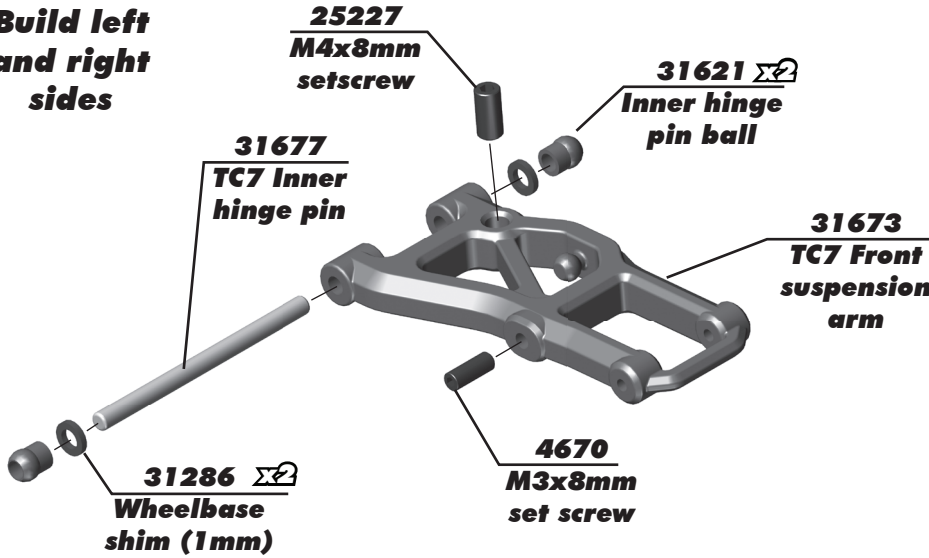


Arm Mount Inserts				
-3 DOT	-2 DOT	1 DOT	+2 DOT	+3 DOT
-1°	-1/2°	0°	+1/2°	+1°

Negative to the inside of vehicle.
Positive to the outside of vehicle.

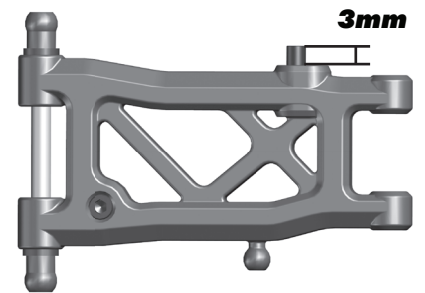
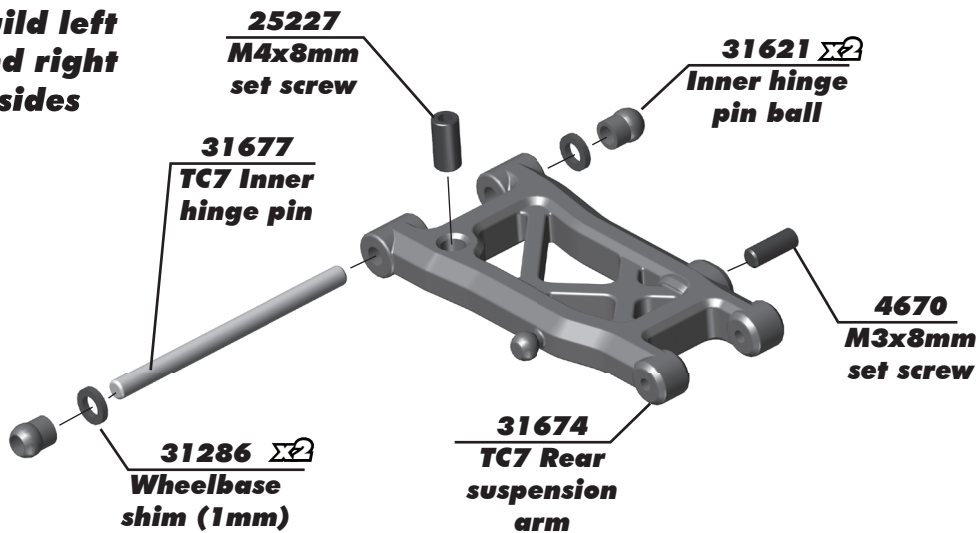
:: Suspension Arms Build - Bag 8, 9, 10, & 11 - Step 3

Build left and right sides



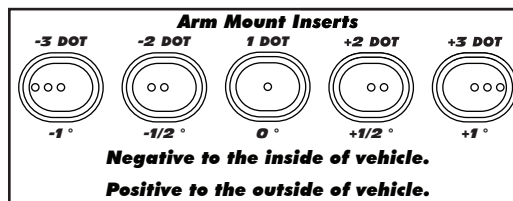
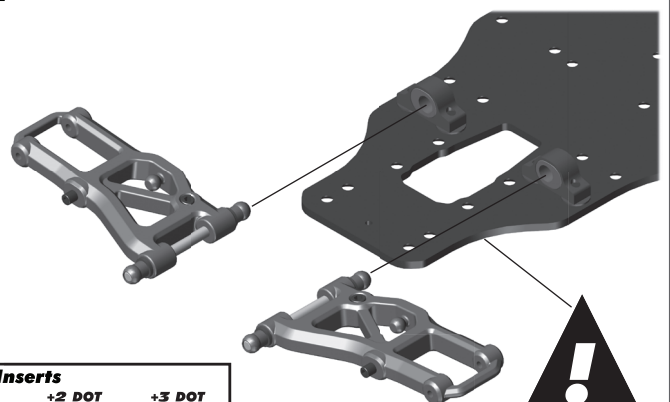
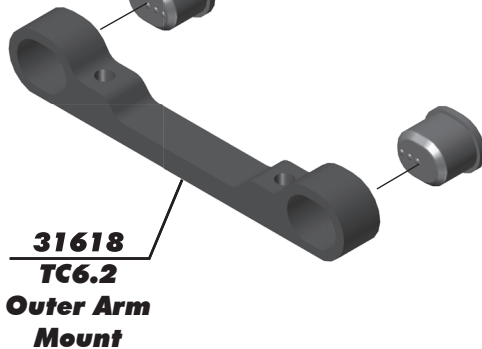
:: Suspension Arms Build - Bag 8, 9, 10, & 11 - Step 4

Build left and right sides

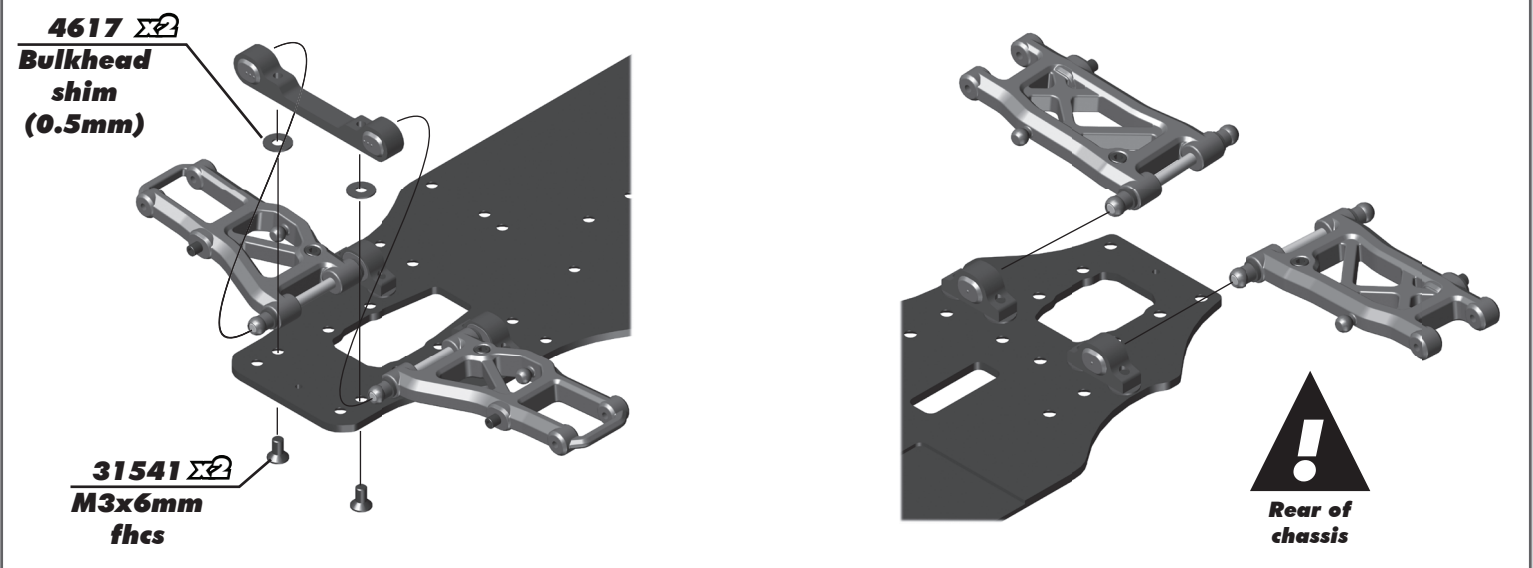


:: Suspension Arms Build - Bag 8, 9, 10, & 11 - Step 5

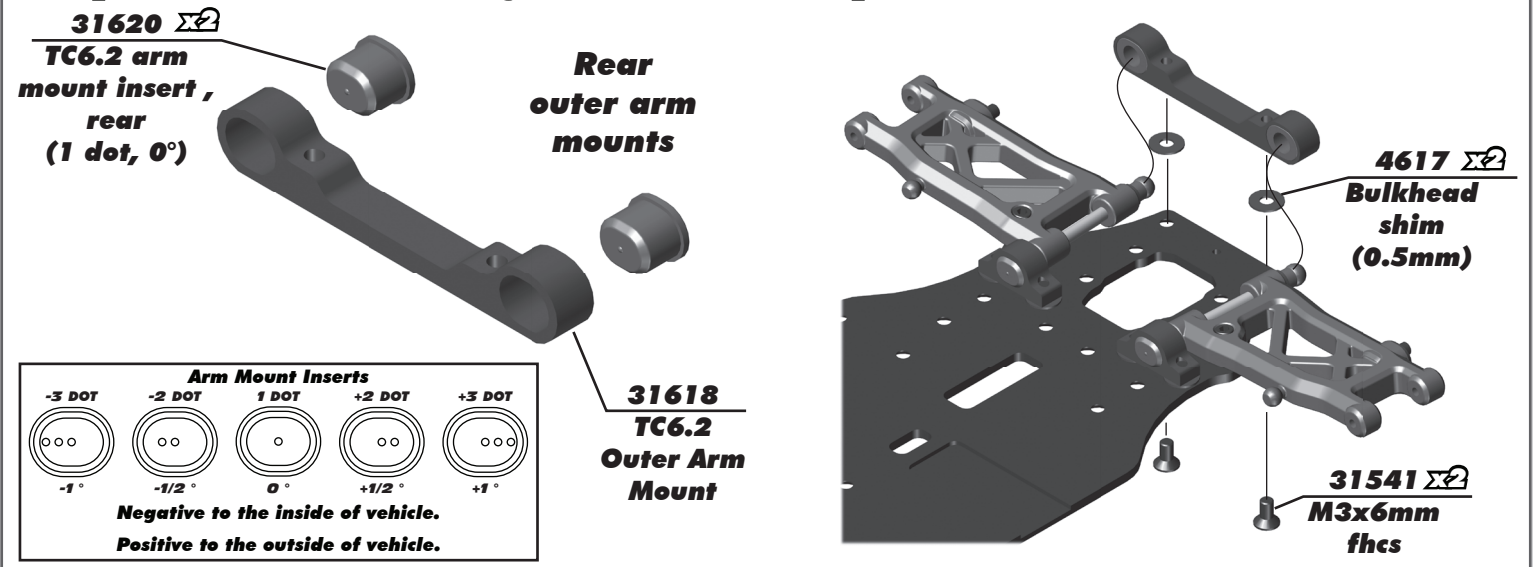
31620 TC6.2 arm mount insert, front (-3 dot, -1°)



:: Suspension Arms Build - Bag 8, 9, 10, & 11 - Step 6



:: Suspension Arms Build - Bag 8, 9, 10, & 11 - Step 7



:: Suspension Arms Build - Bag 8, 9, 10, & 11 - Step 8

Droop:

The standard settings of 6mm front and 5mm rear will work best in most cases. Droop is measured just underneath the outer hinge pin as shown in the photos to the right.

On bumpy or low grip surfaces, increase the droop (going to a lower number on the droop gauge), this will help increase traction and consistency.

Droop adjustments of 0.5mm to 1mm can be very effective on the track!

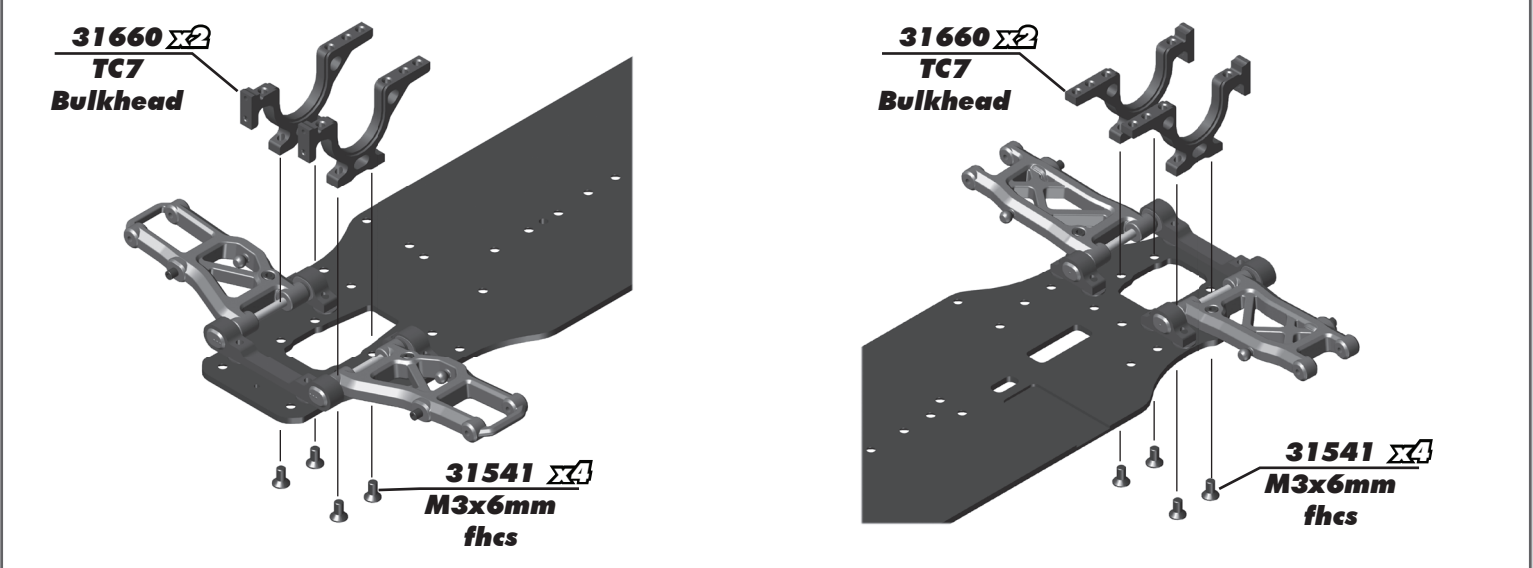
Front Droop Setting: 6mm



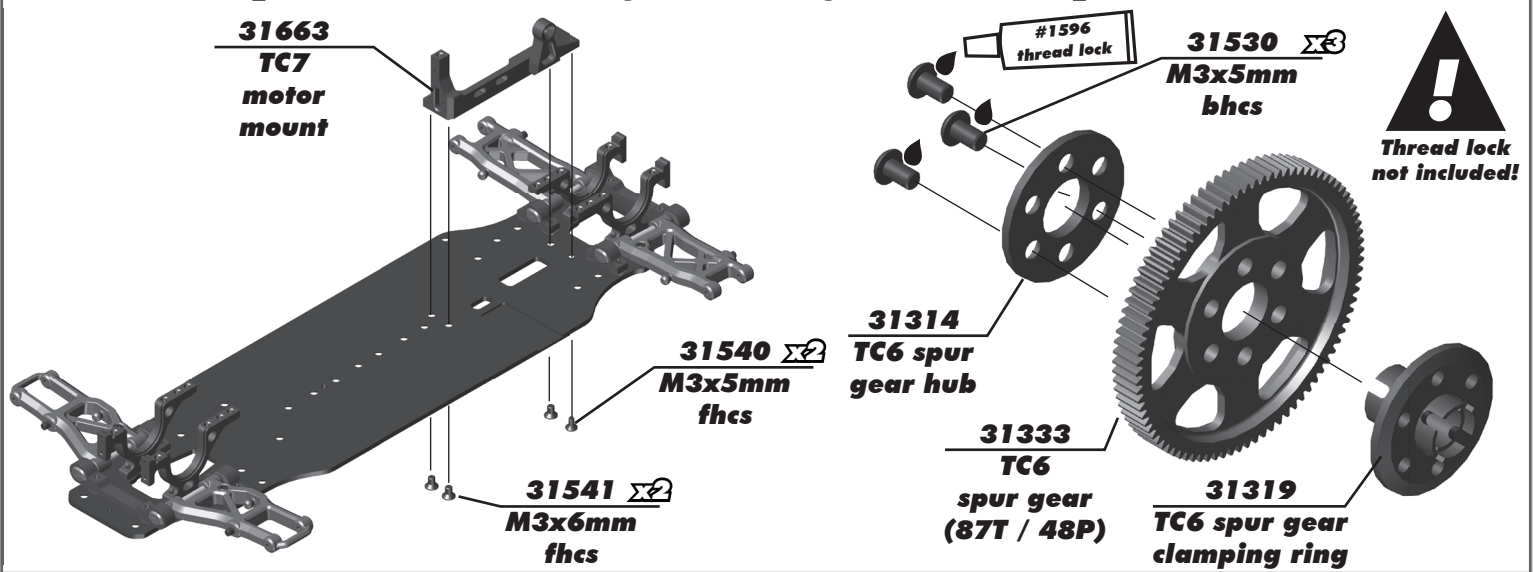
Rear Droop Setting: 5mm



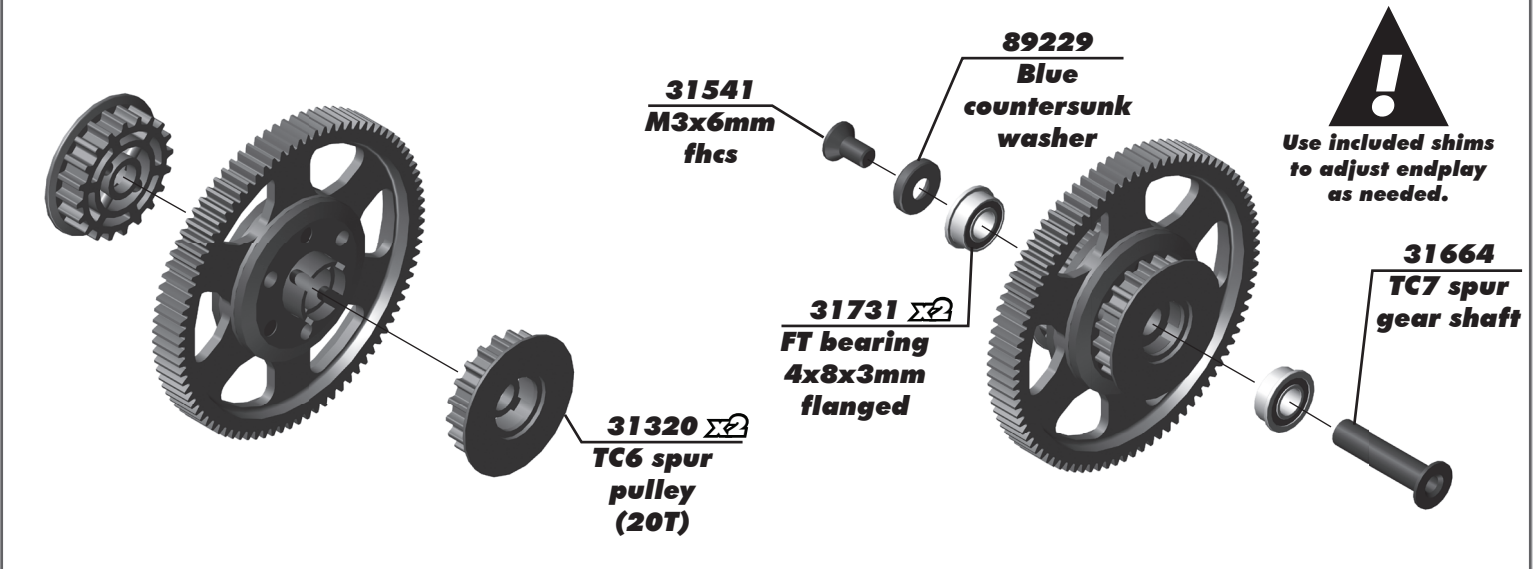
:: Bulkheads, Spur Gear, and Steering Build - Bag 12 & 13 - Step 1



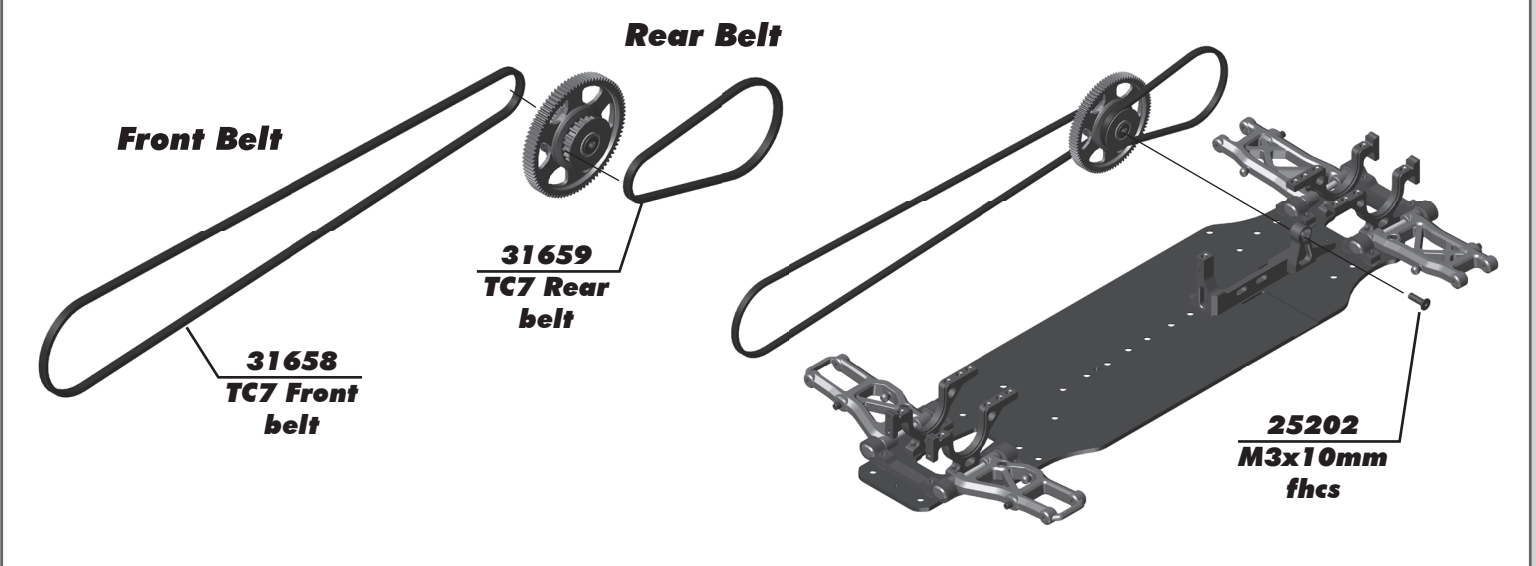
:: Bulkheads, Spur Gear, and Steering Build - Bag 12 & 13 - Step 2



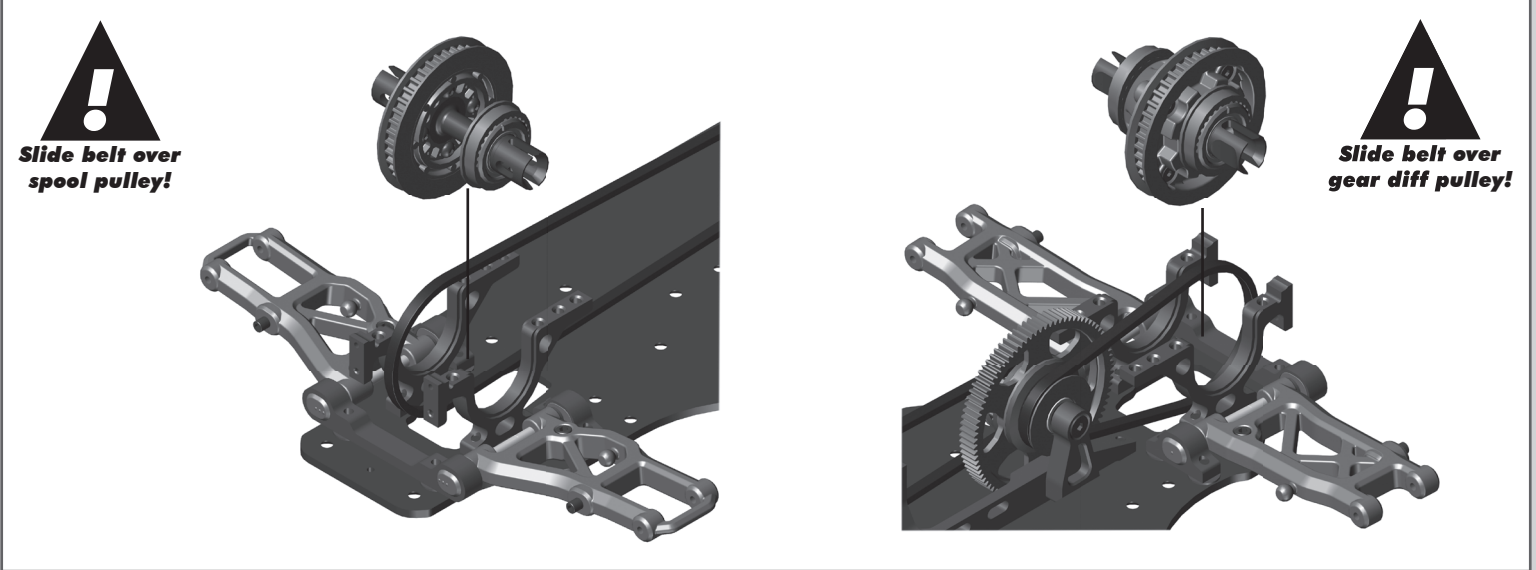
:: Bulkheads, Spur Gear, and Steering Build - Bag 12 & 13 - Step 3



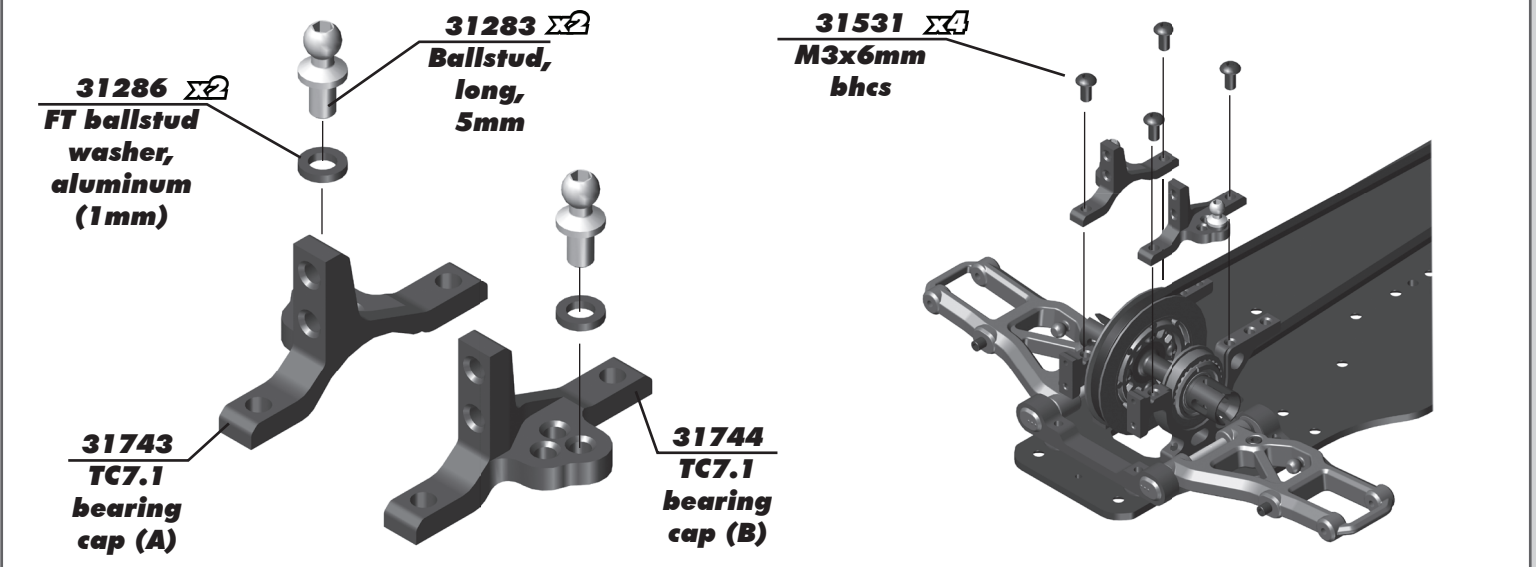
:: Bulkheads, Spur Gear, and Steering Build - Bag 12 & 13 - Step 4



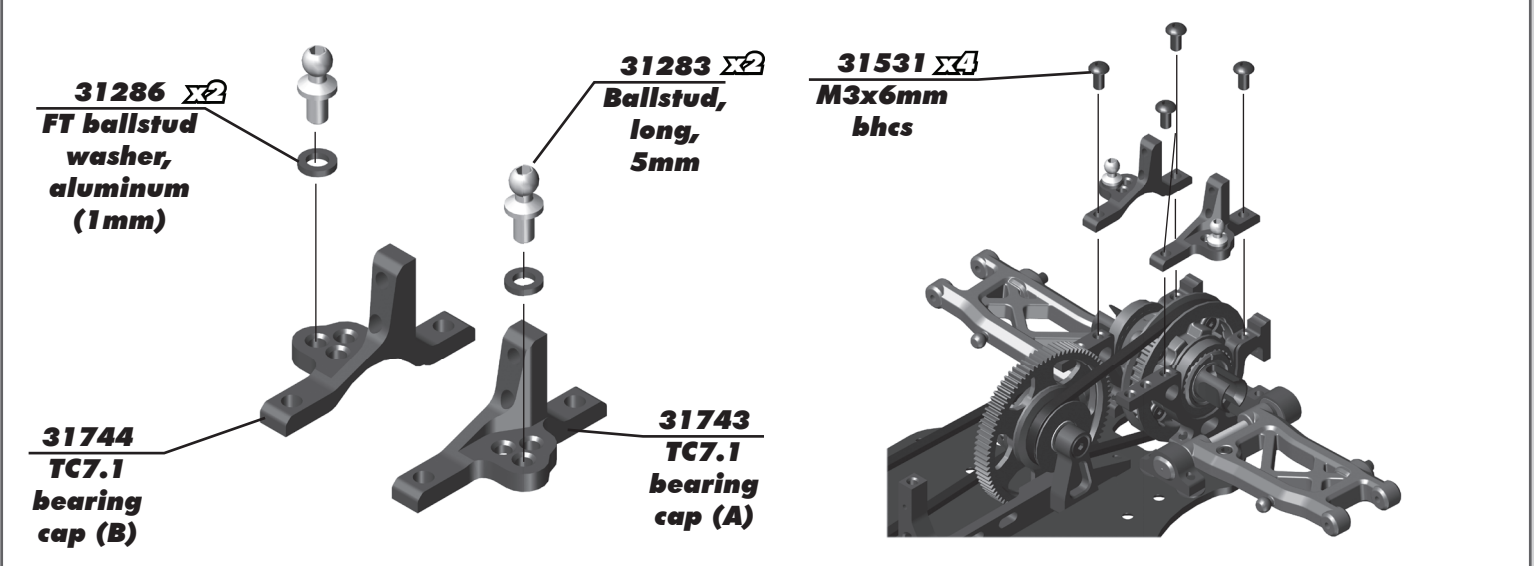
:: Bulkheads, Spur Gear, and Steering Build - Bag 12 & 13 - Step 5



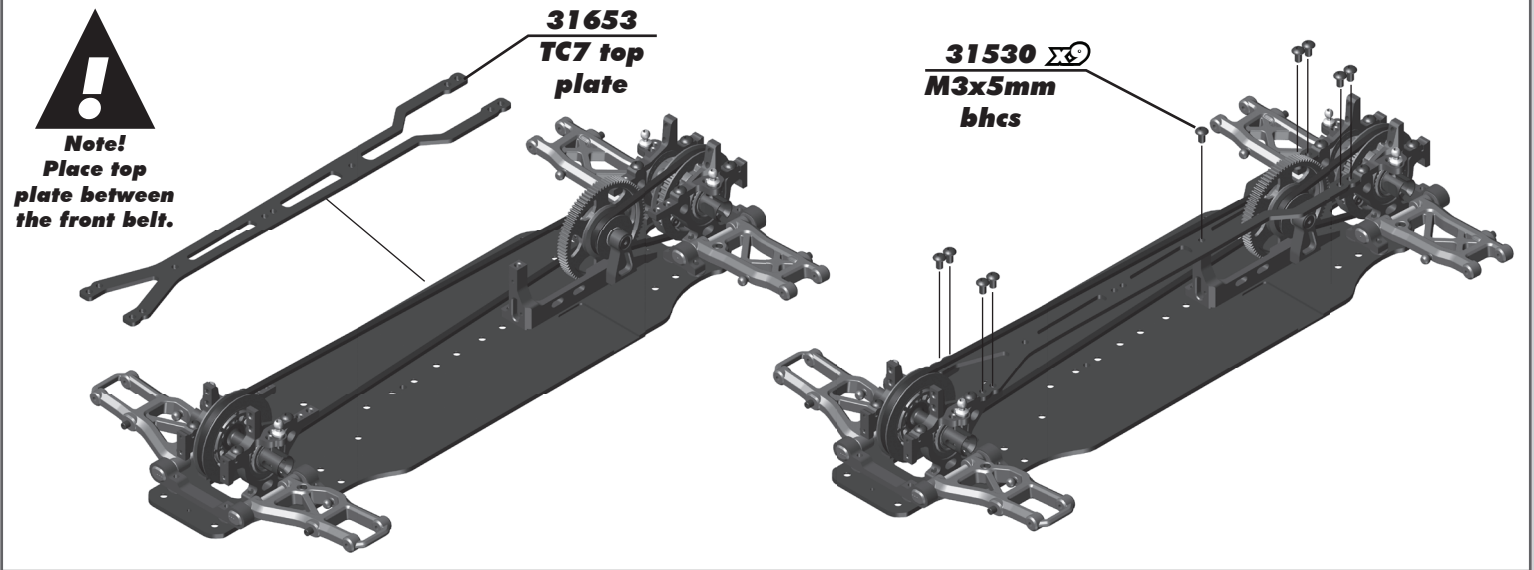
:: Bulkheads, Spur Gear, and Steering Build - Bag 12 & 13 - Step 6



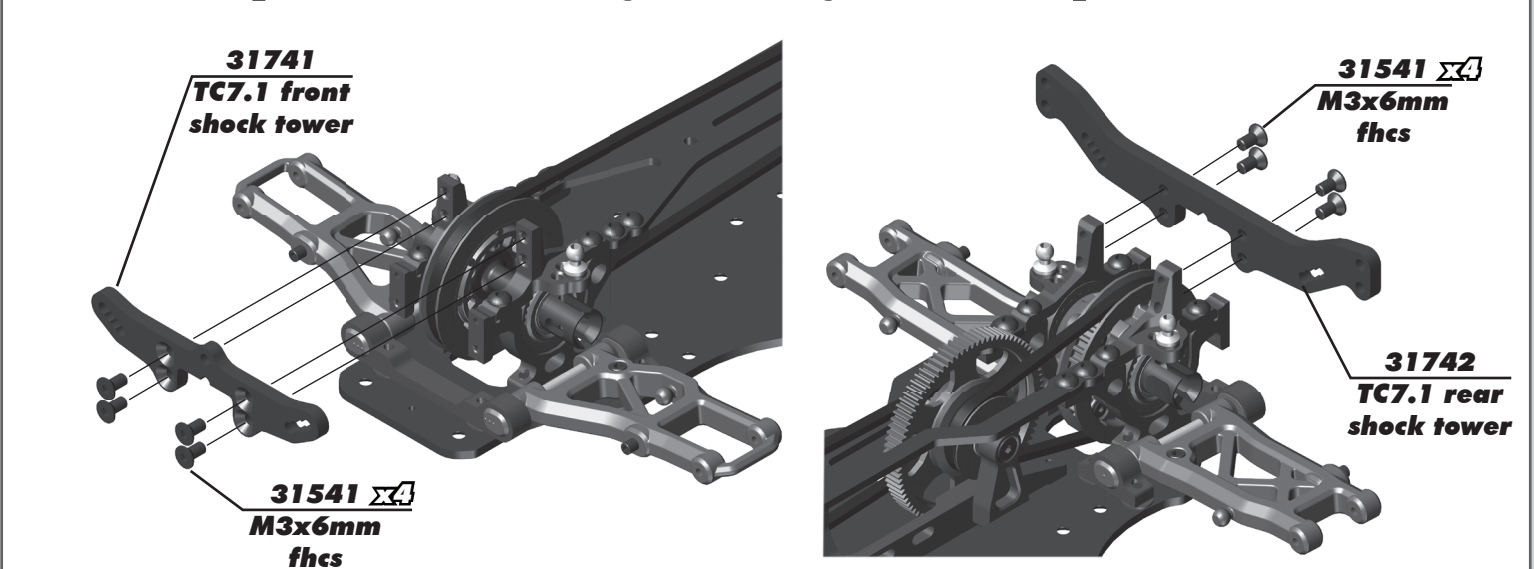
:: Bulkheads, Spur Gear, and Steering Build - Bag 12 & 13 - Step 7



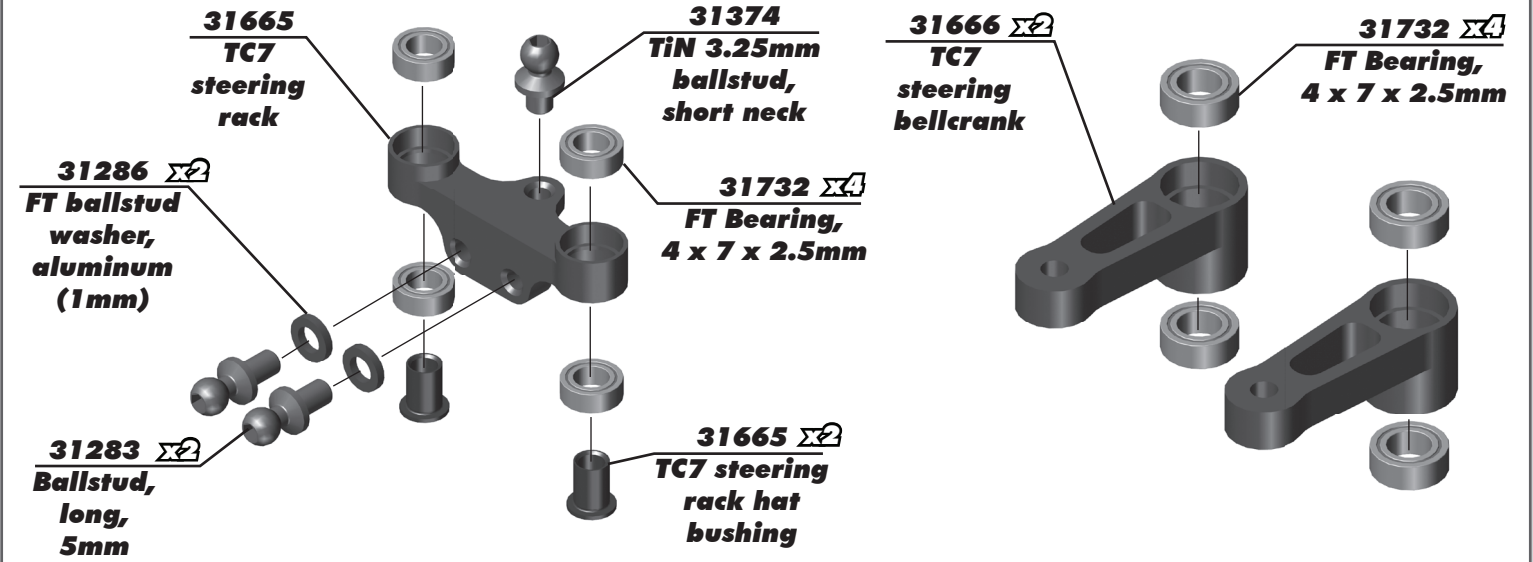
:: Bulkheads, Spur Gear, and Steering Build - Bag 12 & 13 - Step 8



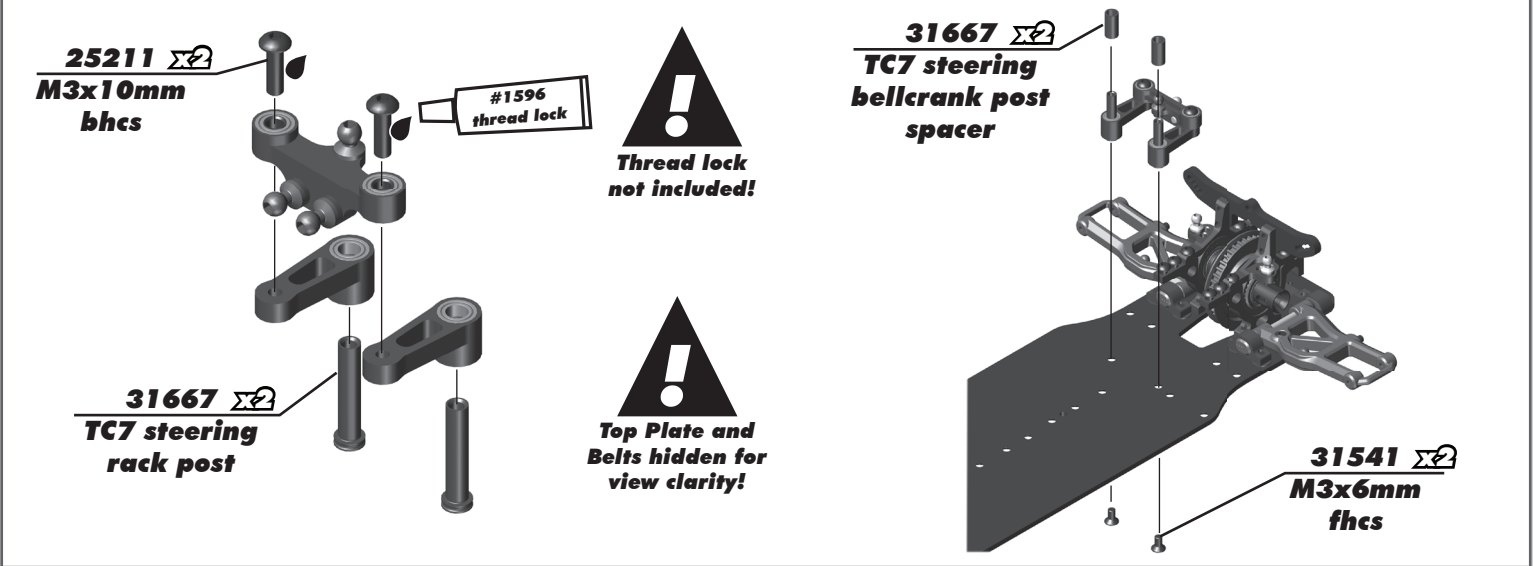
:: Bulkheads, Spur Gear, and Steering Build - Bag 12 & 13 - Step 9



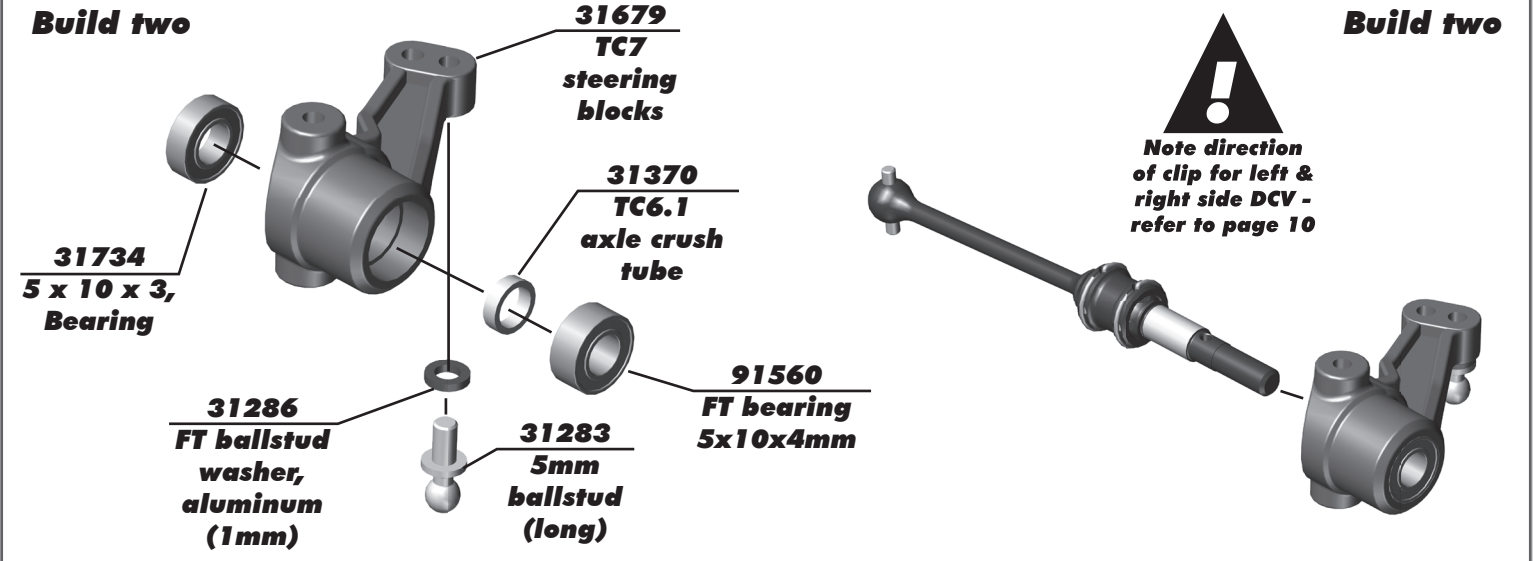
:: Bulkheads, Spur Gear, and Steering Build - Bag 12 & 13 - Step 10



:: Bulkheads, Spur Gear, and Steering Build - Bag 12 & 13 - Step 11

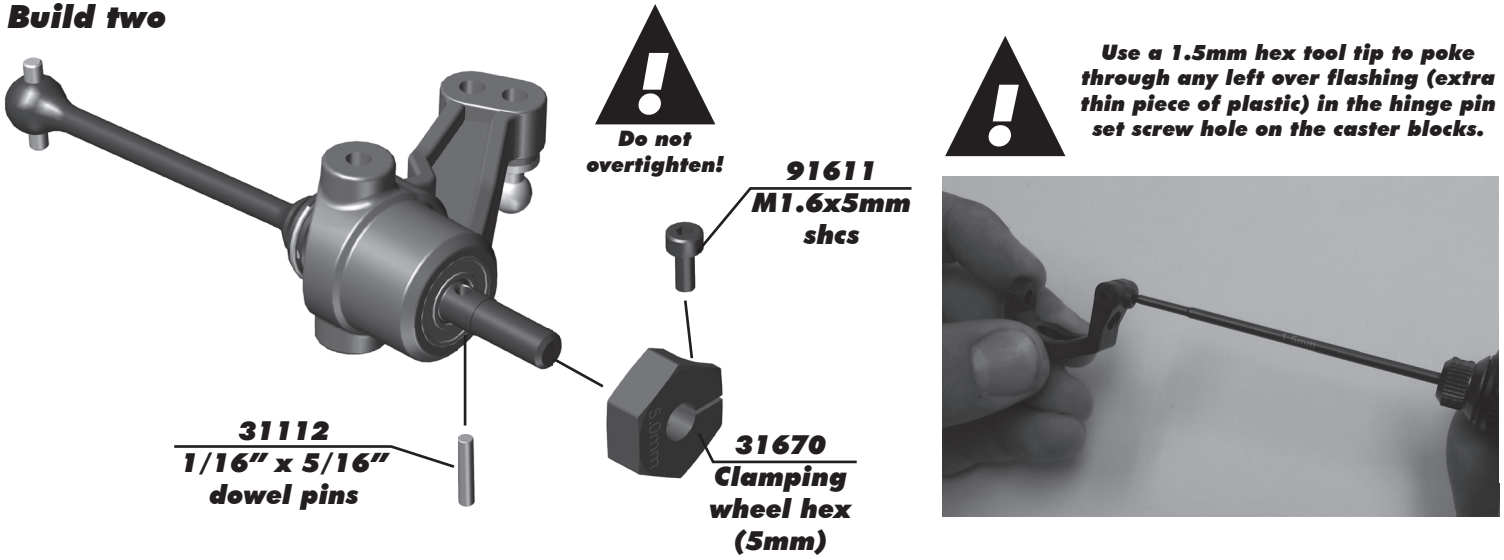


:: Caster Blocks and Hubs Build - Bag 14, 15, & 16 - Step 1



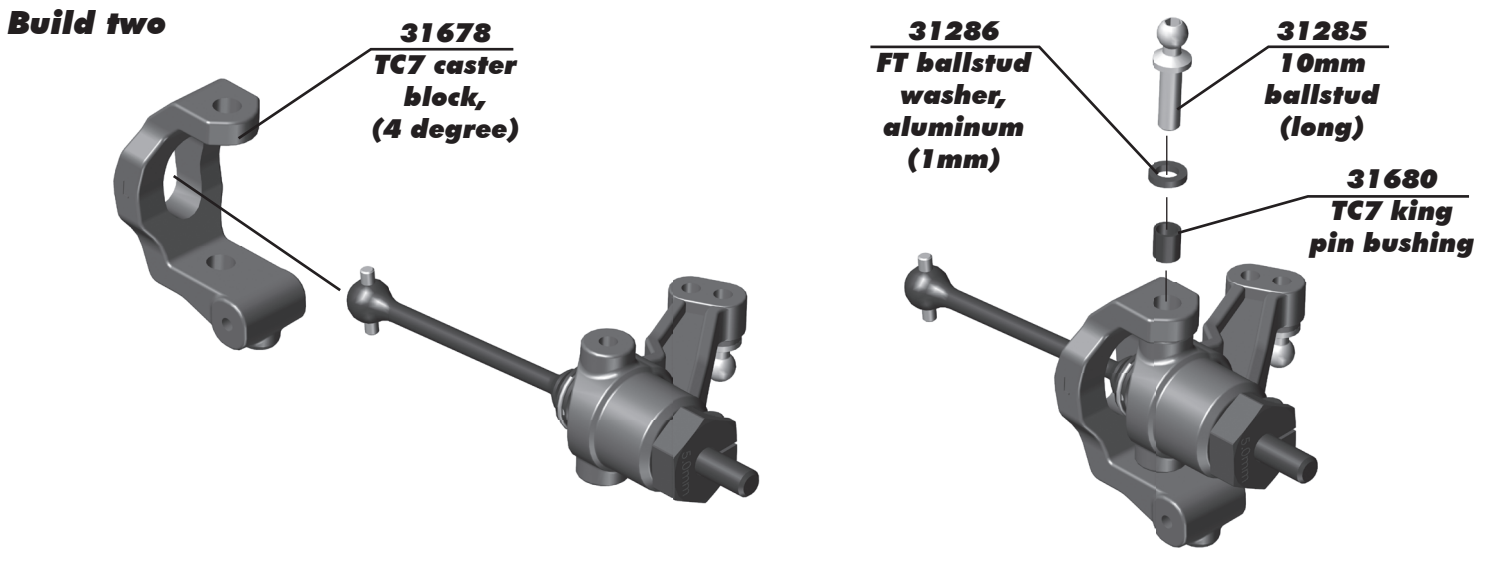
:: Caster Blocks and Hubs Build - Bag 14, 15, & 16 - Step 2

Build two



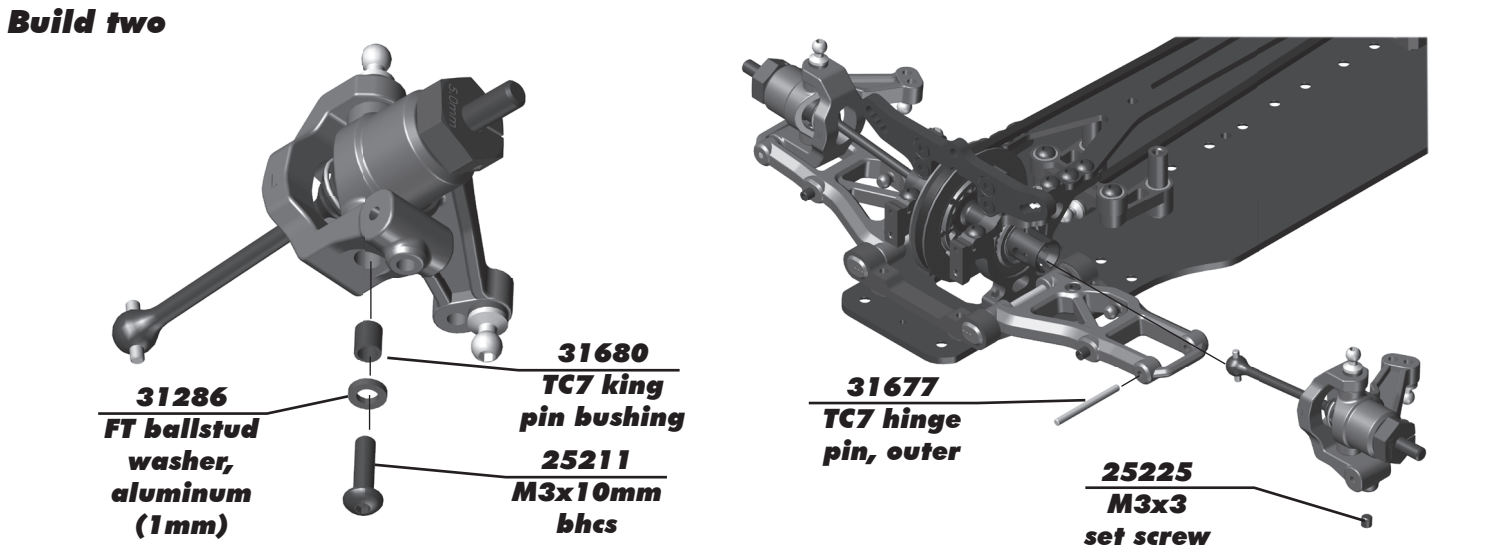
:: Caster Blocks and Hubs Build - Bag 14, 15, & 16 - Step 3

Build two

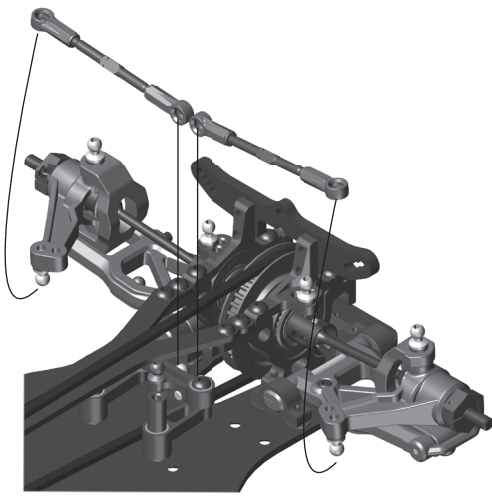


:: Caster Blocks and Hubs Build - Bag 14, 15, & 16 - Step 4

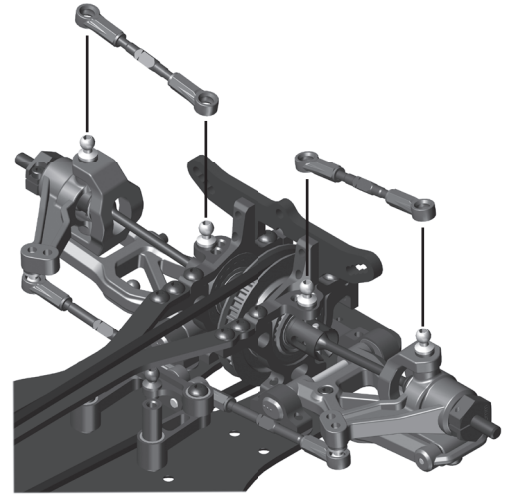
Build two



:: Caster Blocks and Hubs Build - Bag 14, 15, & 16 - Step 5



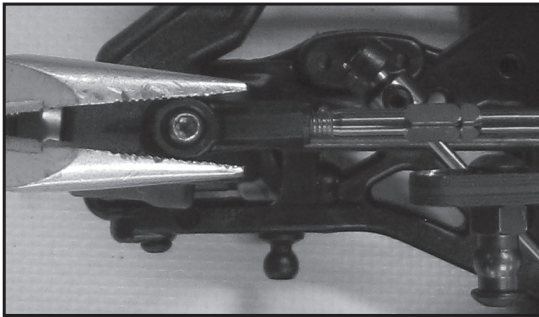
!
 Orient the notch to the left throughout the car. The notch indicates which end has the left hand threads!



:: Caster Blocks and Hubs Build - Bag 14, 15, & 16 - Step 6



It is important that the turnbuckle eyelets move freely once snapped on to the ballstud. If the fit is too tight, the car handling will be inconsistent. To check, grab turnbuckle eyelet with fingers and rotate the cup. If there is resistance, lightly squeeze ball cup with needle nose pliers as shown and test again. It is important that the ball cup be snapped onto the ballstud before squeezing with needle nose pliers. Be sure to check and adjust the fit for each ball cup that is installed.

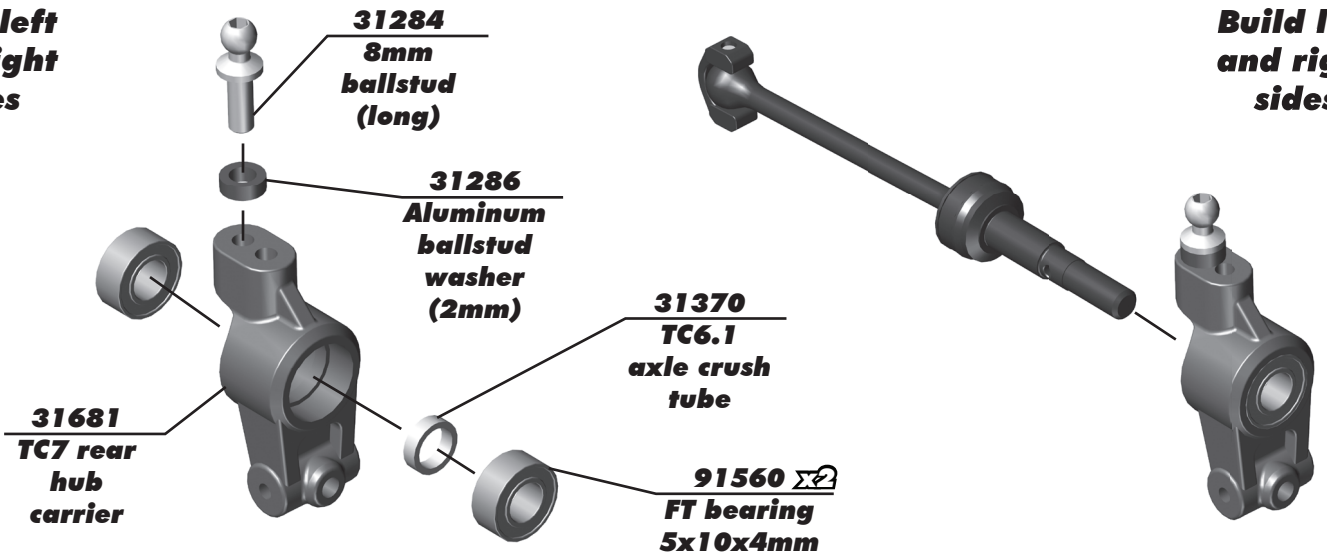


Use a 1.5mm hex tool tip to poke through any left over flashing (extra thin piece of plastic) in the hinge pin set screw hole on the rear hubs.



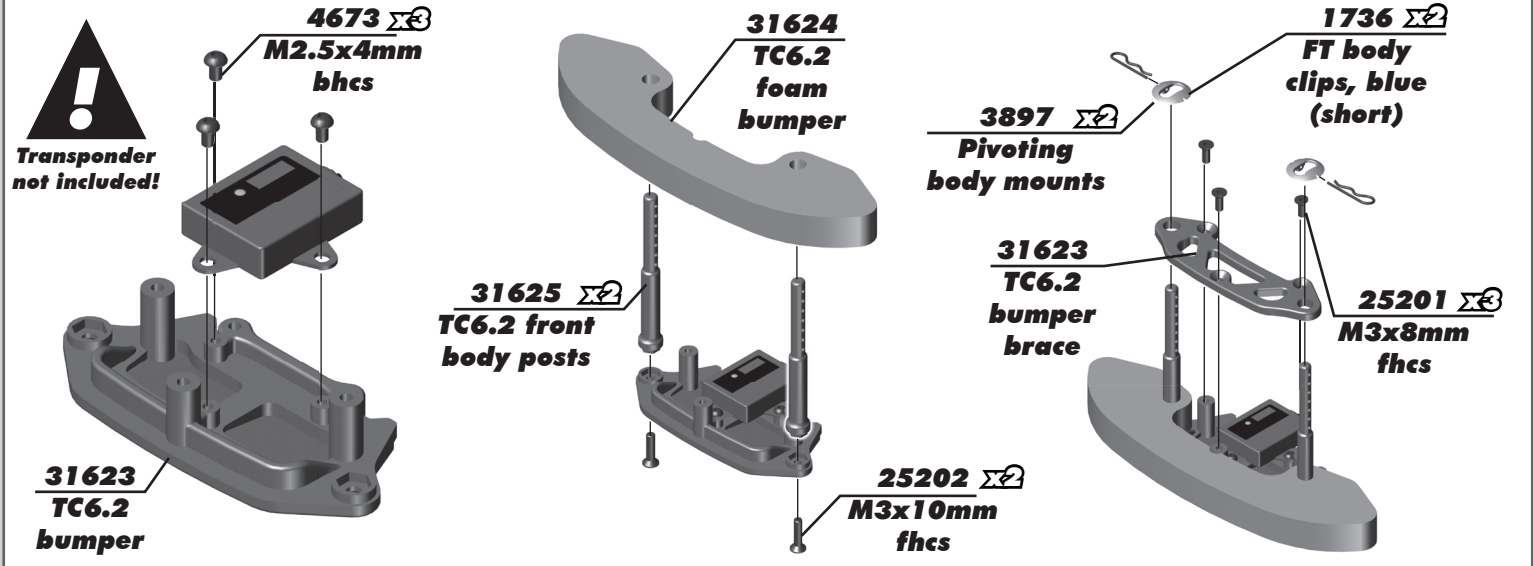
:: Caster Blocks and Hubs Build - Bag 14, 15, & 16 - Step 7

Build left and right sides

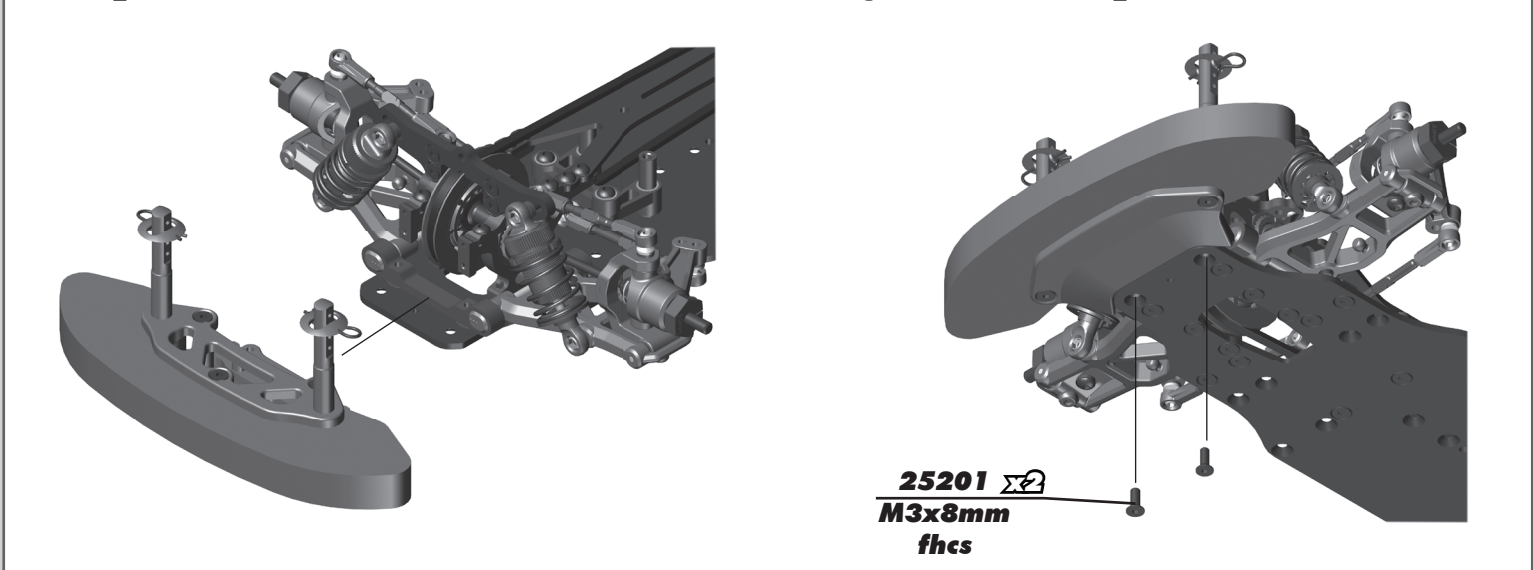


Build left and right sides

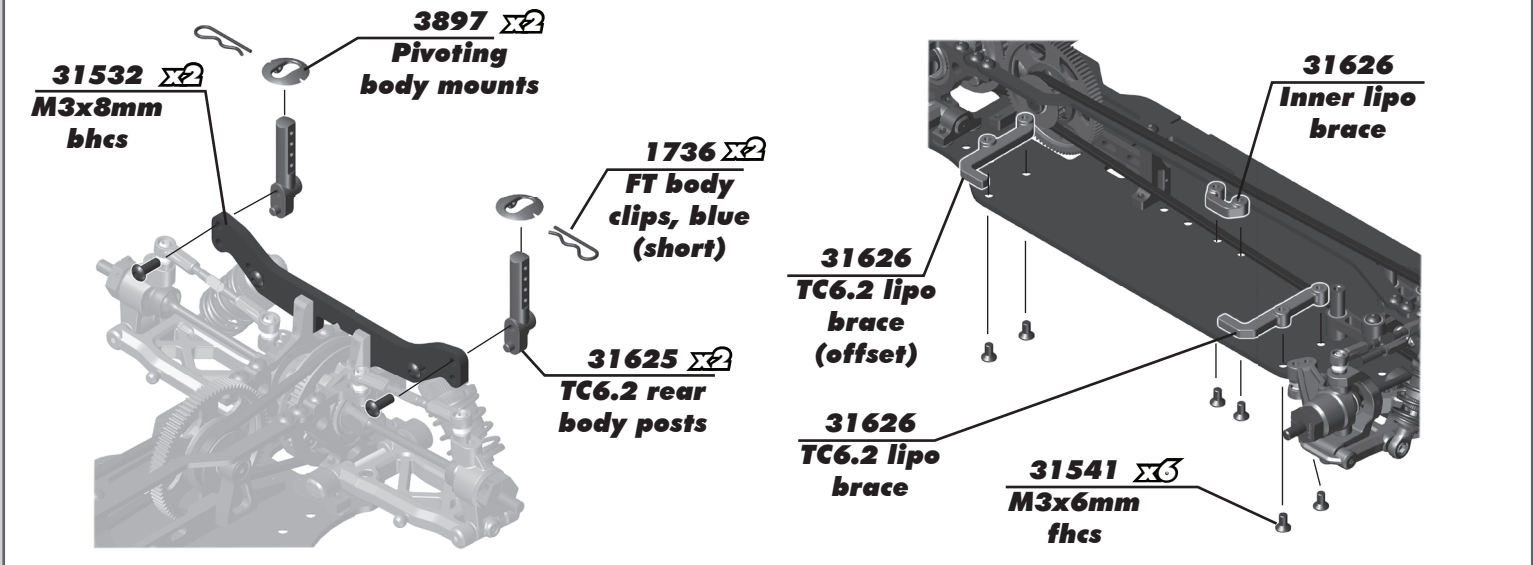
:: Bumper, Anti-Roll Bar, and Electronics Build - Bag 17 & 18 - Step 2



:: Bumper, Anti-Roll Bar, and Electronics Build - Bag 17 & 18 - Step 3



:: Bumper, Anti-Roll Bar, and Electronics Build - Bag 17 & 18 - Step 4



:: Bumper, Anti-Roll Bar, and Electronics Build - Bag 17 & 18 - Step 5

31701 TC7 anti-roll bar eyelet

31701 TC7 anti-roll bar coupler

31058 Anti roll bar ballstud

31305 Turnbuckle eyelet

31500 M3x2.5mm set screw

31703 TC7 Front anti-roll bar, 1.4mm (blue)

31707 TC7 Rear anti-roll bar, 1.2mm (white)

31701 TC7 anti-roll bar retainer

Anti Roll Bar Color/Size Chart	
Green	1.1mm
White	1.2mm
Gray	1.3mm
Blue	1.4mm
Yellow	1.5mm

Anti Roll Bar Link Adjustment
9.5mm

Build four anti-roll bar mounts

Shrink the colored heat shrink tubing to the anti roll bar!

:: Bumper, Anti-Roll Bar, and Electronics Build - Bag 17 & 18 - Step 6

31500 M3x2.5mm set screw

25225 M3x3mm set screw

31511 M2x5mm shcs

31701 TC7 anti-roll bar mount

Tighten #25225 set screws just enough to allow the anti-roll bar to move freely!

:: Bumper, Anti-Roll Bar, and Electronics Build - Bag 17 & 18 - Step 7

31500 M3x2.5mm set screw

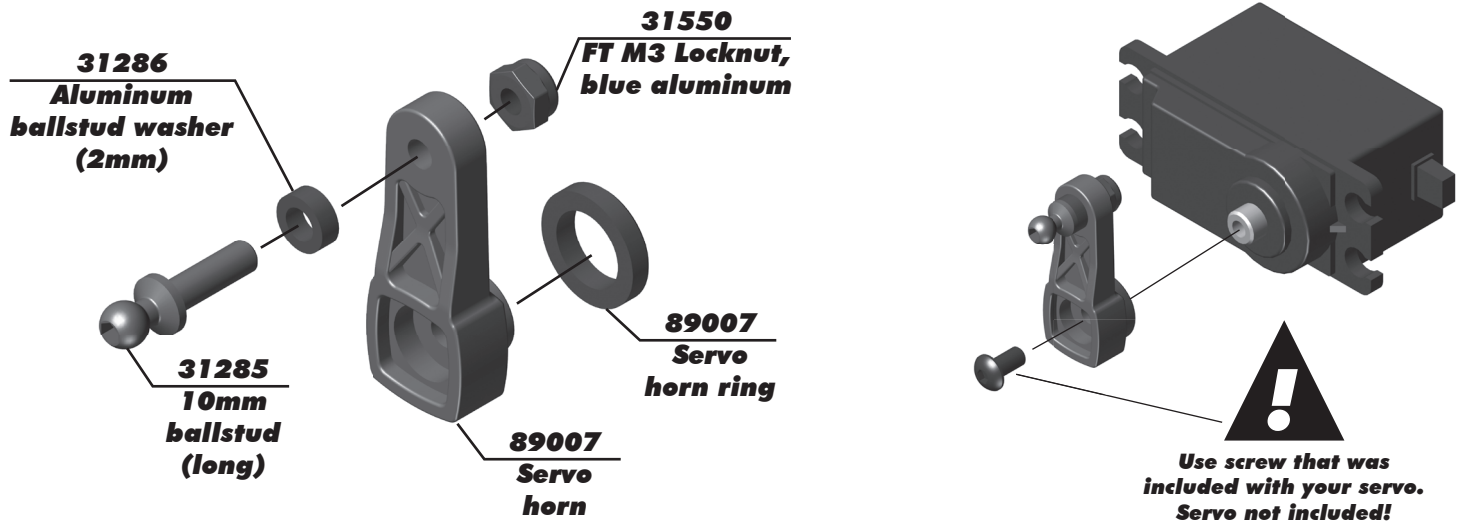
25225 M3x3mm set screw

31511 M2x5mm shcs

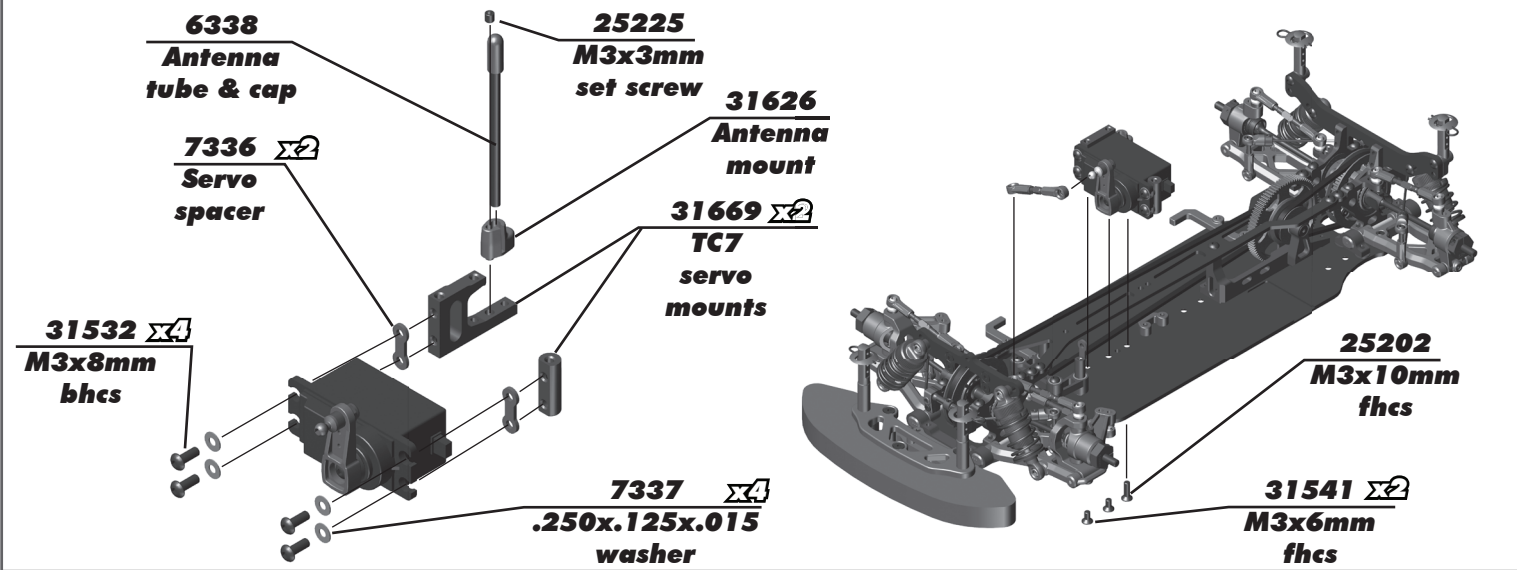
31701 TC7 anti-roll bar mount

Tighten #25225 set screws just enough to allow the anti-roll bar to move freely!

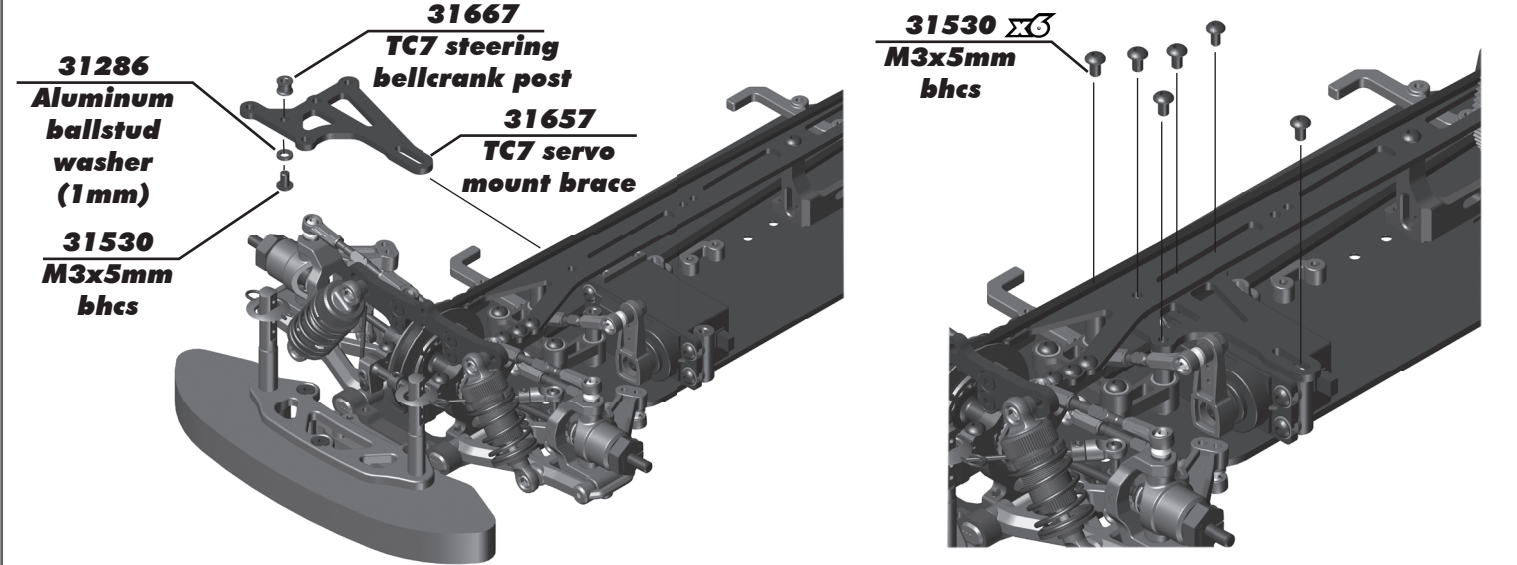
:: Bumper, Anti-Roll Bar, and Electronics Build - Bag 17 & 18 - Step 8



:: Bumper, Anti-Roll Bar, and Electronics Build - Bag 17 & 18 - Step 9



:: Bumper, Anti-Roll Bar, and Electronics Build - Bag 17 & 18 - Step 10



:: Bumper, Anti-Roll Bar, and Electronics Build - Bag 17 & 18 - Step 11

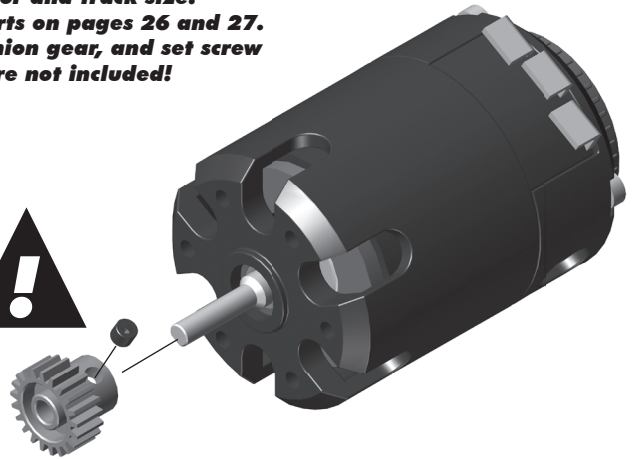
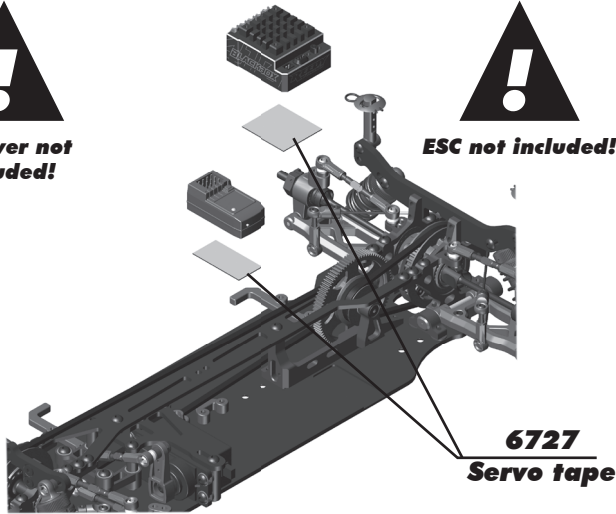


Receiver not included!



ESC not included!

**Gearing will depend on the motor and track size.
Gear charts on pages 26 and 27.
Motor, pinion gear, and set screw are not included!**




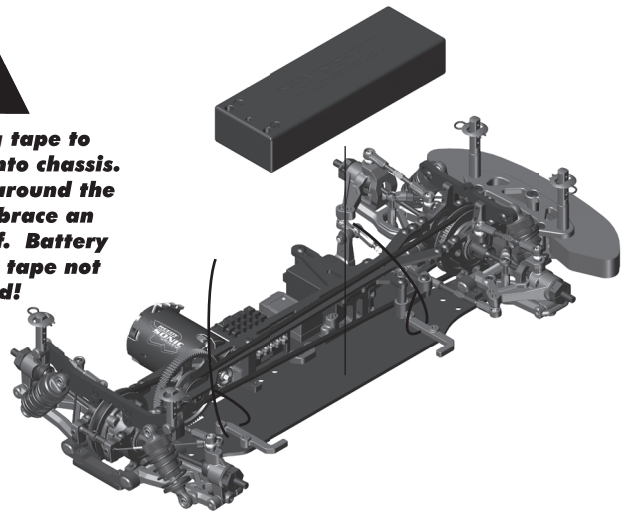
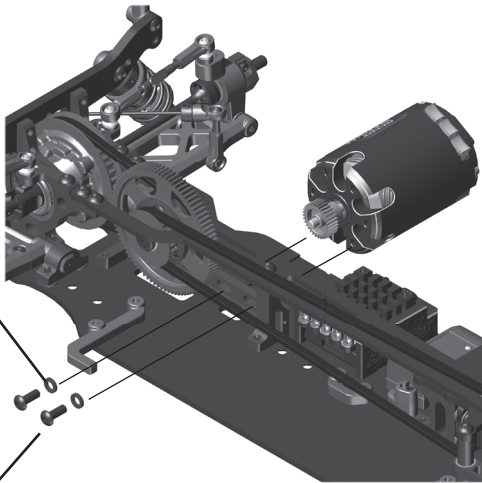
:: Bumper, Anti-Roll Bar, and Electronics Build - Bag 17 & 18 - Step 12



**Use strapping tape to secure battery into chassis.
Wrap the tape around the #31626 LiPo brace an back onto itself. Battery and Strapping tape not included!**

31286 
Aluminum ballstud washer (1mm)

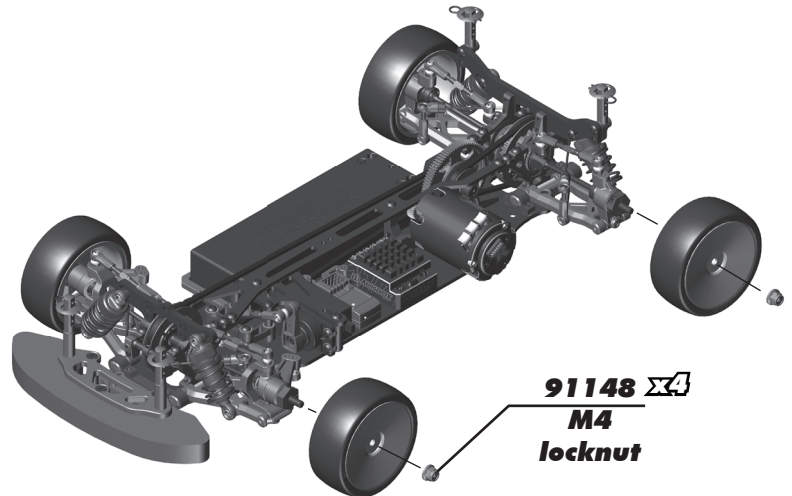
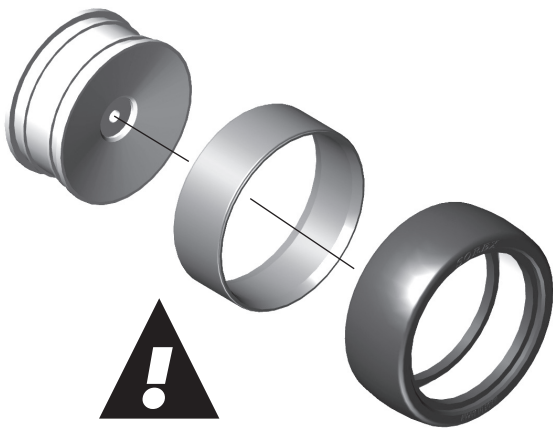
31532 
M3x8mm bhcs



:: Bumper, Anti-Roll Bar, and Electronics Build - Bag 17 & 18 - Step 13



Wheels, tires, and inserts not included!



:: Tuning Tips

Tips for Beginners:

Before making any changes to the standard setup, make sure you can get around the track without crashing. Changes to your car will not be beneficial if you can't stay on the track. Your goal is consistent laps.

Once you can get around the track consistently, start tuning your car. Make only ONE adjustment at a time, testing it before making another change. If the result of your adjustment is a faster lap, mark the change on the included setup sheet (make additional copies of the sheet before writing on it). If your adjustment results in a slower lap, revert back to the previous setup and try another change. When you are satisfied with your car, fill in the setup sheet thoroughly and file it away. Use this as a guide for future track days or conditions.

Ride Height:

The standard starting point for ride height is 5.0mm (keep in mind that your local track may have minimum ride height requirements). You can slightly raise the rear relative to the front to give the car more steering. Raise the car slightly for tracks with large bumps.

Battery Placement:

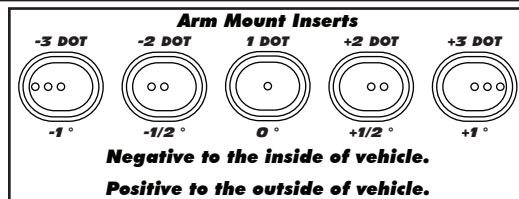
For most cases, run the battery in the standard forward position. Typically this will be the most stable and easiest to drive. Try moving the battery back if you encounter a low traction surface by switching LiPo braces front to back.

Wheelbase:

Lengthening the front will reduce steering, shortening the front will increase steering. Shortening the rear will increase rear grip, lengthening the rear will decrease rear traction.

Rear Toe-In:

Standard rear toe-in angle for inner hinge pin when using same insert front and rear is 3°. Standard insert used is 1 dot. Rear toe-in can be adjusted by 0.5° increments at the inner hinge pin with supplied arm mount inserts (see chart to right).

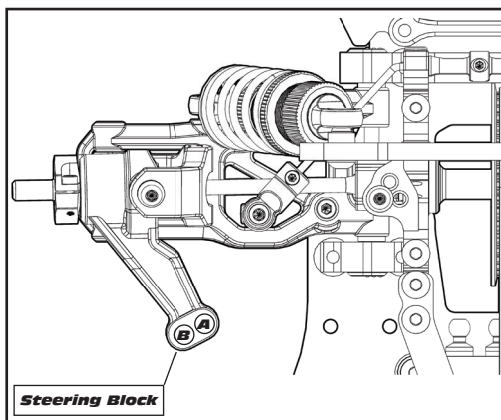


Ackermann:

Ackermann refers to the relative angle difference between the front wheels as they are turned to steer the car. The outside wheel will turn less than the inside wheel in most conditions. Settings with more Ackermann will have a bigger difference in wheel angle, causing the outside wheel to turn less. Likewise, settings with less Ackermann will cause the outside wheel to turn more.

Increasing the Ackermann will smooth out the steering and is used most often on high traction surfaces such as carpet. This is a result of the reduced outside wheel angle. Settings with reduced Ackermann will help to increase corner entry steering, and are typically used when running a spool in the front.

The chart to the right lists the different Ackermann options.



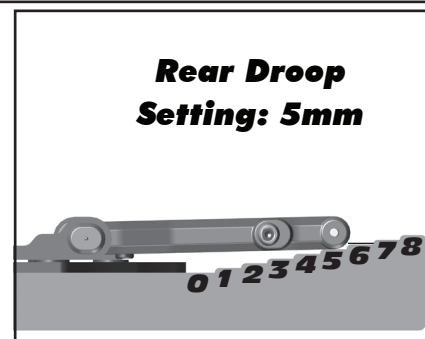
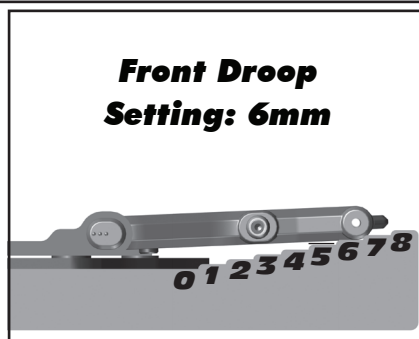
Steering Block Position	Steering Rack Shims	Ackermann
B	2mm	Less Ackermann ↑
B	1mm	STD
B	0mm	More Ackermann ↓
A	2mm	
A	1mm	
A	0mm	

Drop:

The standard settings of 6mm front and 5mm rear will work best in most cases. Drop is measured just underneath the outer hinge pin as shown in the photos to the right.

On bumpy or low grip surfaces, increase the drop (going to a lower number on the drop gauge), this will help increase traction and consistency.

Drop adjustments of 0.5mm to 1mm can be very effective on the track!



:: Tuning Tips

Anti-Roll Bar:

Anti-roll bars are only effective during roll (when the chassis leans from side to side when cornering). Because of this they isolate a change in the suspensions spring rate in the corners only, and can be a very useful tuning option.

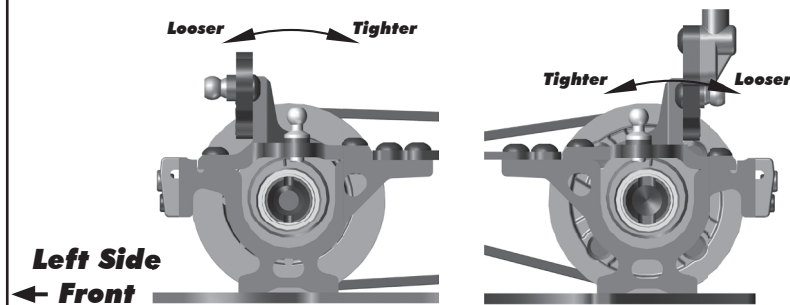
Anti-roll bars stiffen the spring rate of the suspension during roll movements when cornering. The larger the roll bar wire, the stiffer the spring rate will be in roll. The chart on the right shows the available anti-roll bar sizes (as well as their corresponding colors) from the softest on the top, to the stiffest on the bottom.

Anti Roll Bar Color/Size Chart	
Green	1.1mm
White	1.2mm
Gray	1.3mm
Blue	1.4mm
Yellow	1.5mm

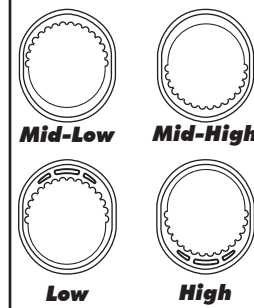
The standard setup with a blue front anti-roll bar (1.4mm) and a white rear anti-roll bar (1.2mm), is a balanced starting point. Changing the size of the front or rear anti-roll bars can help to make the chassis more consistent through the corner. Decreasing the size of the front anti-roll bars will help to increase mid-corner steering, but will tend to be less stable in sweepers. This is a typical setup for smaller tracks with tighter turns. Increasing the size of the front anti-roll bars will give more stability in the sweepers, and is better for larger tracks with high speed corners. Increasing the size of the rear anti-roll bars will help add stability into and through the corner in high traction conditions, but can make the car inconsistent in low traction, or bumpy, surfaces.

Belt Tension:

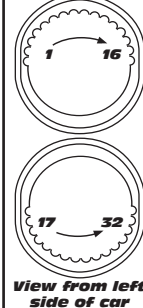
When altering the differential height, you will need to adjust the tension of the belt. The following chart shows suggested starting positions.



Cam Position



Belt Tension Number



Front	Height	Pos.
	High	31
	Mid-High	28
	Mid	8
Low	5	

Rear	Height	Pos.
	High	18
	Mid-High	20
	Mid	7
Low	9	

Note! Charts show left side cam positions from the left side of the car. Match right side cam position to left side cam position.

Motor Gearing:

The gear charts on the following page show final drive ratio numbers for the TC7. Refer to motor manufacturer's suggested gear ratio for starting point. You may need to adjust the gearing according to your track size.

The following formula's can also be helpful in determining final drive ratios and pinion size.

$$TC7 \text{ Internal Ratio} = 2.0$$

$$\text{Final Drive Ratio} = \frac{\text{\# of Teeth Spur} \times (\text{Internal Ratio})}{\text{\# of Teeth on Pinion}}$$

$$\text{\# of Teeth on Pinion} = \frac{\text{\# of Teeth on Spur} \times (\text{Internal Ratio})}{\text{Final Drive Ratio}}$$

:: Gear Chart 48 Pitch



Blank spaces in the gear charts designates a gear ratio that will not fit in the vehicle. Gear fitment will also depend on the motor brand.

Spur Gear Teeth (48 Pitch)

Pinion teeth (48 Pitch)	77	78	79	80	81	82	83	84	85	86	87
15	--	--	--	--	--	--	--	--	--	--	11.60
16	--	--	--	--	--	--	--	--	--	10.75	10.88
17	--	--	--	--	--	--	--	--	10.00	10.12	10.24
18	--	--	--	--	--	--	--	9.33	9.44	9.56	9.67
19	--	--	--	--	--	8.20	8.74	8.84	8.95	9.05	9.16
20	--	--	--	--	--	7.71	8.30	8.40	8.50	8.60	8.70
21	--	--	--	7.27	7.36	7.45	7.90	8.00	8.10	8.19	8.29
22	--	--	6.87	6.96	7.04	7.13	7.55	7.64	7.73	7.82	7.91
23	--	--	6.50	6.58	6.67	6.83	7.22	7.30	7.39	7.48	7.57
24	--	6.16	6.24	6.32	6.40	6.56	6.92	7.00	7.08	7.17	7.25
25	6.16	6.00	6.08	6.15	6.23	6.31	6.64	6.72	6.80	6.88	6.96
26	5.92	5.78	5.85	5.93	6.00	6.07	6.38	6.46	6.54	6.62	6.69
27	5.70	5.57	5.64	5.71	5.79	5.86	6.15	6.22	6.30	6.37	6.44
28	5.50	5.38	5.45	5.52	5.59	5.66	5.93	6.00	6.07	6.14	6.21
29	5.31	5.20	5.27	5.33	5.40	5.47	5.72	5.79	5.86	5.93	--
30	5.13	5.03	5.10	5.16	5.23	5.29	5.53	5.60	5.67	--	--
31	4.97	4.88	4.94	5.00	5.06	5.13	5.35	5.42	--	--	--
32	4.81	4.73	4.79	4.85	4.91	4.97	5.19	--	--	--	--
33	4.67	4.59	4.65	4.71	4.76	--	--	--	--	--	--
34	4.53	4.46	4.51	4.57	--	--	--	--	--	--	--
35	4.40	4.33	4.39	--	--	--	--	--	--	--	--
36	4.28	4.22	--	--	--	--	--	--	--	--	--
37	4.16	--	--	--	--	--	--	--	--	--	--
38	4.05	--	--	--	--	--	--	--	--	--	--

Advanced Timing Stock Brushless and Modified Brushless

Spur Gear Teeth (48 Pitch)

Pinion teeth (48 Pitch)	66	67	68	69	70	71	72	73	74	75	76
26	--	--	--	--	--	--	--	--	--	--	5.85
27	--	--	--	--	--	--	--	--	--	5.56	5.63
28	--	--	--	--	--	--	--	--	5.29	5.36	5.43
29	--	--	--	--	--	--	4.80	5.03	5.10	5.17	5.24
30	--	--	--	--	--	4.58	4.65	4.87	4.93	5.00	5.07
31	--	--	--	--	4.38	4.44	4.50	4.71	4.77	4.84	4.90
32	--	--	4.00	4.18	4.24	4.30	4.36	4.56	4.63	4.69	4.75
33	--	4.00	3.89	4.06	4.12	4.18	4.24	4.42	4.48	4.55	4.61
34	--	3.83	3.94	4.00	4.06	4.11	4.17	4.35	4.41	4.47	4.53
35	--	3.67	3.78	3.83	3.89	3.94	4.00	4.23	4.29	4.34	4.40
36	3.67	3.72	3.78	3.83	3.89	3.94	4.00	4.29	4.35	4.41	4.47
37	3.57	3.62	3.68	3.73	3.78	3.84	3.89	4.17	4.23	4.29	4.34
38	3.47	3.53	3.58	3.63	3.68	3.74	3.79	4.06	4.11	4.17	4.22
39	3.38	3.44	3.49	3.54	3.59	3.64	3.69	3.95	4.00	4.05	4.11
40	3.30	3.35	3.40	3.45	3.50	3.55	3.60	3.84	3.89	3.95	4.00
41	3.22	3.27	3.32	3.37	3.41	3.46	3.51	3.74	3.79	3.85	3.90
42	3.14	3.19	3.24	3.29	3.33	3.38	3.43	3.65	3.70	3.75	--
43	3.07	3.12	3.16	3.21	3.26	3.30	3.35	3.56	3.61	--	--
44	3.00	3.05	3.09	3.14	3.18	3.23	3.28	3.48	--	--	--
45	2.93	2.98	3.02	3.07	3.11	--	--	--	--	--	--
46	2.87	2.91	2.96	3.00	--	--	--	--	--	--	--
47	2.81	2.85	2.89	--	--	--	--	--	--	--	--
48	2.75	--	--	--	--	--	--	--	--	--	--

Non-Timing Stock Brushless

:: Gear Chart 64 Pitch



Blank spaces in the gear charts designates a gear ratio that will not fit in the vehicle. Gear fitment will also depend on the motor brand.

Spur Gear Teeth (64 Pitch)

Pinion teeth (64 Pitch)	102	103	104	105	106	107	108	109	110	111	112	113	114	115
19														12.11
20													11.40	11.50
21												10.76	10.86	10.95
22											10.18	10.27	10.36	10.45
23									9.17	9.65	9.74	9.83	9.91	10.00
24								8.72	8.80	8.88	8.96	9.04	9.12	9.20
25								8.31	8.38	8.46	8.54	8.62	8.77	8.85
26								8.00	8.07	8.15	8.22	8.30	8.44	8.52
27					7.57	7.79	7.79	7.79	7.86	7.93	8.00	8.07	8.14	8.21
28					7.31	7.38	7.45	7.52	7.59	7.66	7.72	7.79	7.86	7.93
29				7.24	7.07	7.13	7.20	7.27	7.33	7.40	7.47	7.53	7.60	7.67
30			6.93	7.00	6.84	6.90	6.97	7.03	7.10	7.16	7.23	7.29	7.35	7.42
31			6.65	6.71	6.77	6.84	6.90	6.97	7.03	7.10	7.16	7.23	7.30	7.37
32		6.38	6.44	6.50	6.56	6.63	6.69	6.75	6.81	6.88	6.94	7.00	7.06	7.13
33		6.18	6.24	6.30	6.36	6.42	6.48	6.55	6.61	6.67	6.73	6.79	6.85	6.91
34		6.00	6.06	6.12	6.18	6.24	6.29	6.35	6.41	6.47	6.53	6.59	6.65	6.71
35	5.83	5.89	5.94	6.00	6.06	6.11	6.17	6.23	6.29	6.34	6.40	6.46	6.51	6.57
36	5.67	5.72	5.78	5.83	5.89	5.94	6.00	6.06	6.11	6.17	6.22	6.28	6.33	6.39
37	5.51	5.57	5.62	5.68	5.73	5.78	5.84	5.89	5.95	6.00	6.05	6.11	6.16	6.22
38	5.37	5.42	5.47	5.53	5.58	5.63	5.68	5.74	5.79	5.84	5.89	5.95	6.00	6.05
39	5.23	5.28	5.33	5.38	5.44	5.49	5.54	5.59	5.64	5.69	5.74	5.79	5.85	5.90
40	5.10	5.15	5.20	5.25	5.30	5.35	5.40	5.45	5.50	5.55	5.60	5.65	5.70	5.75
41	4.98	5.02	5.07	5.12	5.17	5.22	5.27	5.32	5.37	5.41	5.46	5.51	5.56	5.61
42	4.86	4.90	4.95	5.00	5.05	5.10	5.14	5.19	5.24	5.29	5.33	5.38	5.43	5.48
43	4.74	4.79	4.84	4.88	4.93	4.98	5.02	5.07	5.12	5.16	5.21	5.25	5.30	5.35
44	4.64	4.68	4.73	4.77	4.82	4.86	4.91	4.95	5.00	5.04	5.09	5.13	5.18	5.23
45	4.53	4.58	4.62	4.67	4.71	4.76	4.80	4.84	4.89	4.93	4.98	5.02	5.07	5.11
46	4.43	4.48	4.52	4.57	4.61	4.65	4.70	4.74	4.79	4.83	4.88	4.92	4.97	5.01
47	4.34	4.38	4.43	4.47	4.51	4.55	4.60	4.64	4.69	4.73	4.78	4.82	4.87	4.91
48	4.25	4.29	4.33	4.38	4.42	4.46	4.51	4.55	4.60	4.64	4.69	4.73	4.78	4.82
49	4.16	4.20	4.24	4.29	4.33	4.38	4.42	4.46	4.51	4.55	4.60	4.64	4.69	4.73
50	4.08	4.12	4.16	4.21	4.25	4.30	4.34	4.38	4.43	4.47	4.51	4.56	4.60	4.64
51	4.00	4.04	4.08	4.12	4.16	4.20	4.24	4.29	4.33	4.38	4.42	4.46	4.51	4.55
52	3.92	3.96	4.00	4.04	4.08	4.12	4.16	4.20	4.24	4.29	4.33	4.38	4.42	4.46

Advanced Timing Stock Brushless and Modified Timing Stock Brushless

Spur Gear Teeth (64 Pitch)

Pinion teeth (64 Pitch)	88	89	90	91	92	93	94	95	96	97	98	99	100	101
34														5.94
35													5.71	5.77
36												5.50	5.56	5.61
37											5.30	5.35	5.41	5.46
38										5.11	5.16	5.21	5.26	5.32
39									4.92	4.97	5.03	5.08	5.13	5.18
40								4.75	4.80	4.85	4.90	4.95	5.00	5.05
41							4.59	4.63	4.68	4.73	4.78	4.83	4.88	4.93
42						4.43	4.48	4.52	4.57	4.62	4.67	4.71	4.76	4.81
43					4.28	4.33	4.37	4.42	4.47	4.51	4.56	4.60	4.65	4.70
44				4.14	4.18	4.23	4.27	4.32	4.36	4.41	4.45	4.50	4.55	4.59
45			4.00	4.04	4.09	4.13	4.18	4.22	4.27	4.31	4.36	4.40	4.44	4.49
46		3.87	3.91	3.96	4.00	4.04	4.09	4.13	4.17	4.22	4.26	4.30	4.35	4.39
47	3.74	3.79	3.83	3.87	3.91	3.96	4.00	4.04	4.09	4.13	4.17	4.22	4.26	4.30
48	3.67	3.71	3.75	3.79	3.83	3.88	3.92	3.96	4.00	4.04	4.08	4.13	4.17	4.21
49	3.59	3.63	3.67	3.71	3.76	3.80	3.84	3.88	3.92	3.96	4.00	4.04	4.08	4.12
50	3.52	3.56	3.60	3.64	3.68	3.72	3.76	3.80	3.84	3.88	3.92	3.96	4.00	4.04
51	3.45	3.49	3.53	3.57	3.61	3.65	3.69	3.73	3.76	3.80	3.84	3.88	3.92	3.96
52	3.38	3.42	3.46	3.50	3.54	3.58	3.62	3.66	3.69	3.73	3.77	3.81	3.85	3.88
53	3.32	3.36	3.40	3.43	3.47	3.51	3.55	3.58	3.62	3.66	3.70	3.74	3.77	3.81
54	3.26	3.30	3.33	3.37	3.41	3.44	3.48	3.52	3.56	3.59	3.63	3.67	3.70	3.74
55	3.20	3.24	3.27	3.31	3.35	3.38	3.42	3.45	3.49	3.53	3.56	3.60	3.64	3.67
56	3.14	3.18	3.21	3.25	3.29	3.32	3.36	3.39	3.43	3.46	3.50	3.54	3.57	3.61
57	3.09	3.12	3.16	3.20	3.23	3.26	3.30	3.33	3.37	3.40	3.44	3.47	3.51	3.54
58	3.03	3.07	3.10	3.14	3.17	3.21	3.24	3.28	3.31	3.34	3.38	3.41	3.45	3.48
59	2.98	3.02	3.05	3.08	3.12	3.15	3.19	3.22	3.25	3.29	3.32	3.35	3.39	3.42
60	2.93	2.97	3.00	3.03	3.07	3.10	3.13	3.17	3.20	3.23	3.26	3.29	3.33	3.36
61	2.89	2.92	2.95	2.98	3.02	3.05	3.08	3.11	3.15	3.18	3.21	3.24	3.27	3.31
62	2.84	2.87	2.90	2.94	2.97	3.00	3.03	3.06	3.10	3.13	3.16	3.19	3.22	3.25
63	2.79	2.82	2.85	2.88	2.92	2.95	2.98	3.01	3.04	3.07	3.10	3.13	3.16	3.19
64	2.75	2.78	2.81	2.84	2.87	2.90	2.92	2.95	2.98	3.01	3.04	3.07	3.10	3.13
65	2.71	2.74	2.77	2.80	2.83	2.86	2.89	2.92	2.95	2.98	3.01	3.04	3.07	3.10
66	2.67	2.70	2.73	2.76	2.79	2.82	2.85	2.88	2.91	2.94	2.97	3.00	3.03	3.06
67	2.63	2.66	2.69	2.72	2.75	2.78	2.81	2.84	2.87	2.90	2.93	2.96	2.99	3.02

Non-Timing Stock Brushless

:: Shocks

4637	FT Pivot Balls	8
5407	Red O-Rings	8
21139	Washers, M2.6 x 6	20
31510	M2 x 4mm BHCS	6
31745	TC7.1 Shock Body (Fox Kashima Coat)	2
31746	TC7.1 Shock Shaft	2
31752	TC7.1 Shock Rebuild Kit	1
31753	TC7.1 Shock Bottom Cap	2
31756	TC7.1 Shock Cap Retainer	2
31757	TC7.1 Shock Eyelet Set	2
31758	TC7.1 Shock Collar	2
31759	TC7.1 Shock Spring Cup	2
31760	TC7.1 Shock Kit (Fox Kashima Coat)	2
91493	FT Low Friction X-Rings	8

:: Springs

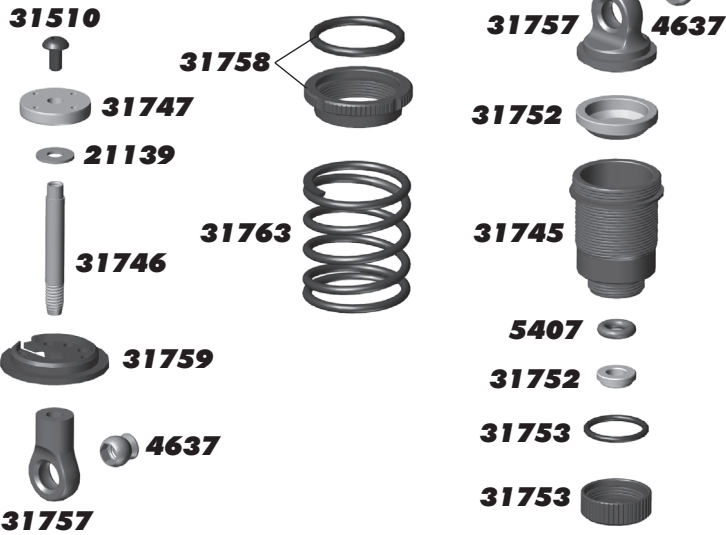
31761	TC 20.5mm Spring (White), 13.8lbs	Pr.
31762	TC 20.5mm Spring, (Gray), 14.8lbs	Pr.
31763	TC 20.5mm Spring, (Blue), 15.8lbs - Kit	Pr.
31764	TC 20.5mm Spring, (Yellow), 16.8lbs	Pr.

:: Pistons

31747	TC7.1 Shock Piston (4x1.1)	4
31748	FT TC7.1 Shock Piston (4x1.1G)	4

:: FT Parts

31738	RC10TC7.1 front tower [long shock]	1
31739	RC10TC7.1 rear tower [long shock]	1
31751	PSD (Position Sensitive Damping) shock system	Pr.



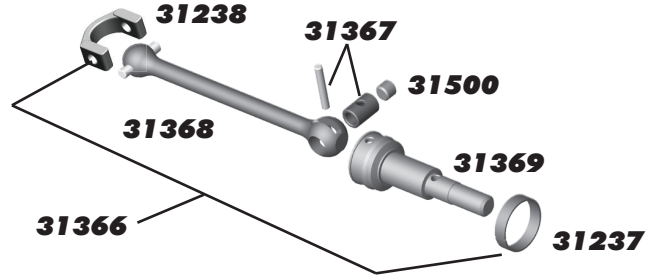
:: Shock Fluid

5420	10 Weight Silicone Shock Fluid	2oz.
5421	20 Weight Silicone Shock Fluid	2oz.
5422	30 Weight Silicone Shock Fluid	2oz.
5423	40 Weight Silicone Shock Fluid	2oz.
5424	22.5 Weight Silicone Shock Fluid	2oz.
5425	80 Weight Silicone Shock Fluid	2oz.
5426	27.5 Weight Silicone Shock Fluid	2oz.
5427	15 Weight Silicone Shock Fluid	2oz.
5428	25 Weight Silicone Shock Fluid	2oz.
5429	35 Weight Silicone Shock Fluid	2oz.
5430	45 Weight Silicone Shock Fluid	2oz.
5431	55 Weight Silicone Shock Fluid	2oz.
5432	32.5 Weight Silicone Shock Fluid	2oz.
5433	37.5 Weight Silicone Shock Fluid	2oz.
5434	42.5 Weight Silicone Shock Fluid	2oz.
5435	50 Weight Silicone Shock Fluid	2oz.
5436	60 Weight Silicone Shock Fluid	2oz.
5437	70 Weight Silicone Shock Fluid	2oz.
5438	47.5 Weight Silicone Shock Fluid	2oz.



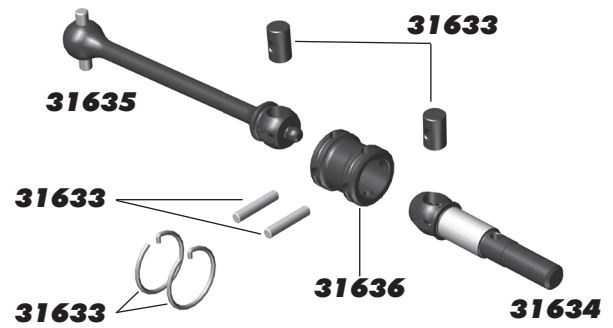
:: CVAs

31237	CVA Pin Retaining Clip	2
31238	CVA Bone Blade	8
31366	TC6.1 CVA Kit	1
31367	TC6.1 CVA Rebuild Kit	1
31368	TC6.1 CVA Bone	Pr.
31369	TC6.1 Stub Axle	Pr.
31500	M3 x 2.5mm Set Screw	6



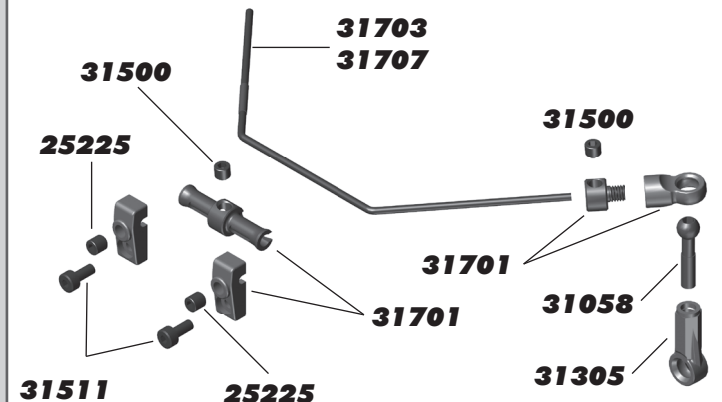
:: DCVs

31633	DCV Rebuild Kit	1
31634	DCV Stub Axles	2
31635	DCV Bones	2
31636	DCV Coupler Tubes	2



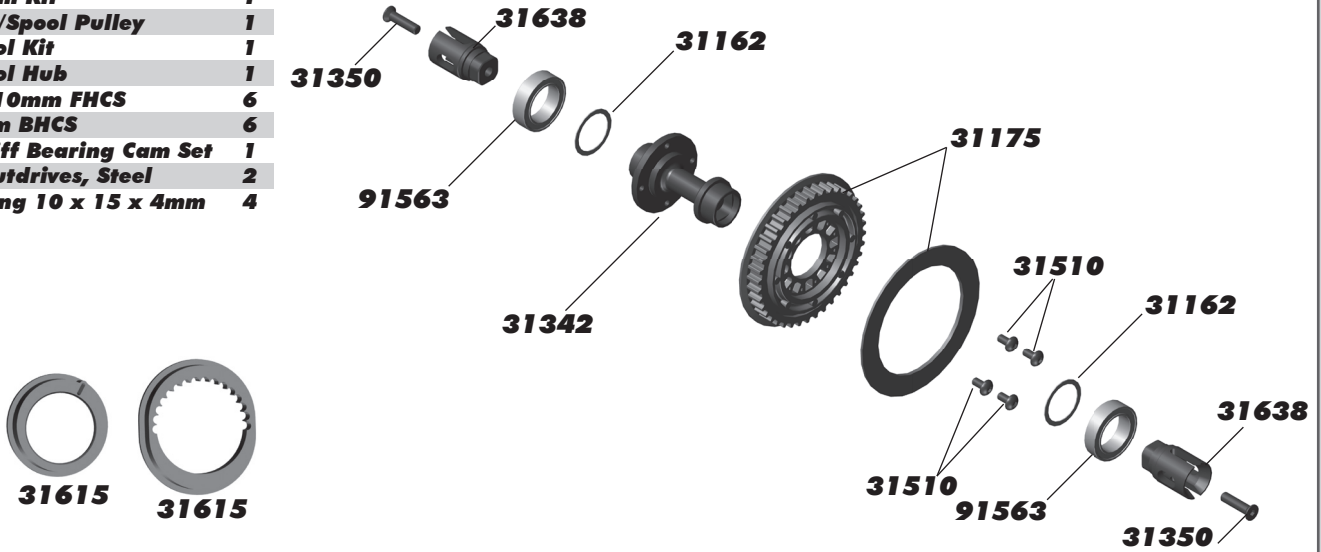
:: Anti-Roll Bars

25225	M3 x 3mm Set Screw	20
31058	Roll Bar Ballstuds, blue	2
31305	Turnbuckle Eyelets	14
31500	M3 x 2.5mm Set Screw	6
31511	M2 x 5mm SHCS	6
31701	TC7 Anti-Roll Bar Mount Set	1
31703	TC7 Front Anti-Roll Bar, 1.3mm (gray), 1.4mm (blue), 1.5mm (yellow)	1 ea.
31707	TC7 Rear Anti-Roll Bar, 1.1mm (green), 1.2mm (white), 1.3mm (gray)	1 ea.



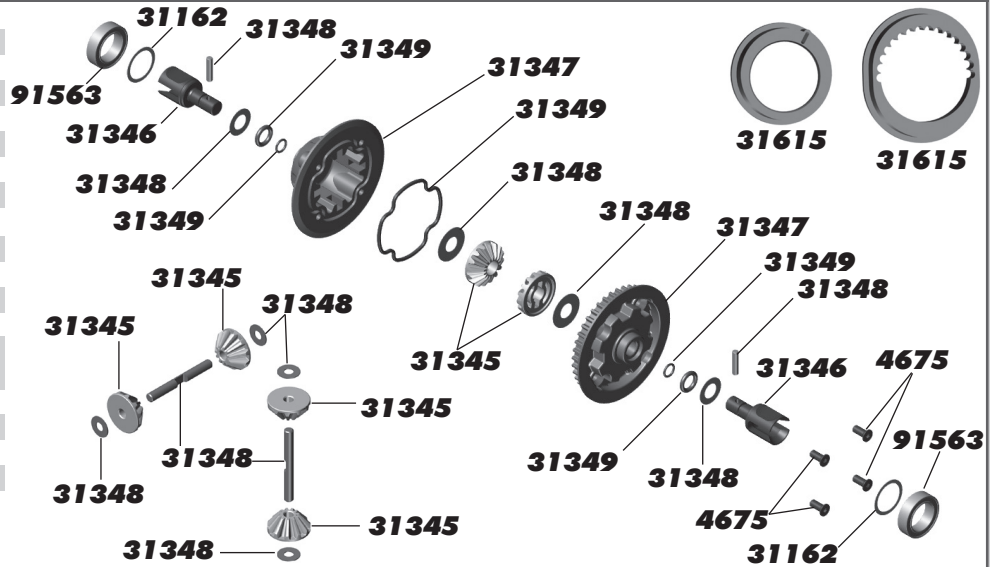
:: Front Spool

31162	Axle Shim Kit	1
31175	Oneway/Spool Pulley	1
31339	TC6 Spool Kit	1
31342	TC6 Spool Hub	1
31350	M2.5 x 10mm FHCS	6
31510	M2x4mm BHCS	6
31615	TC6.2 Diff Bearing Cam Set	1
31638	Spool Outdrives, Steel	2
91563	FT Bearing 10 x 15 x 4mm	4



:: Rear Gear Differential

4675	M2.5 x 6mm FHCS	6
5450	Silicone Diff Fluid 1,000CST	1
5451	Silicone Diff Fluid 2,000CST	1
5452	Silicone Diff Fluid 3,000CST - Kit	1
5444	Silicone Diff Fluid 4,000CST	1
5453	Silicone Diff Fluid 5,000CST	1
5446	Silicone Diff Fluid 6,000CST	1
5454	Silicone Diff Fluid 7,000CST	1
5465	Silicone Diff Fluid 1,000,000CST	1
31162	Axle Shim Kit	1
31344	TC6 Gear Diff	1
31345	TC6 Gear Diff Rebuild	1
31346	TC6 Gear Diff Outdrives	2
31347	TC6 Gear Diff Case, O-Ring, Pulley	1
31348	TC6 Gear Diff Pins & Shims	1
31349	TC6 Gear Diff Seals	1
31615	TC6.2 Diff Bearing Cam Set	1
91563	FT Bearing 10 x 15 x 4mm	4

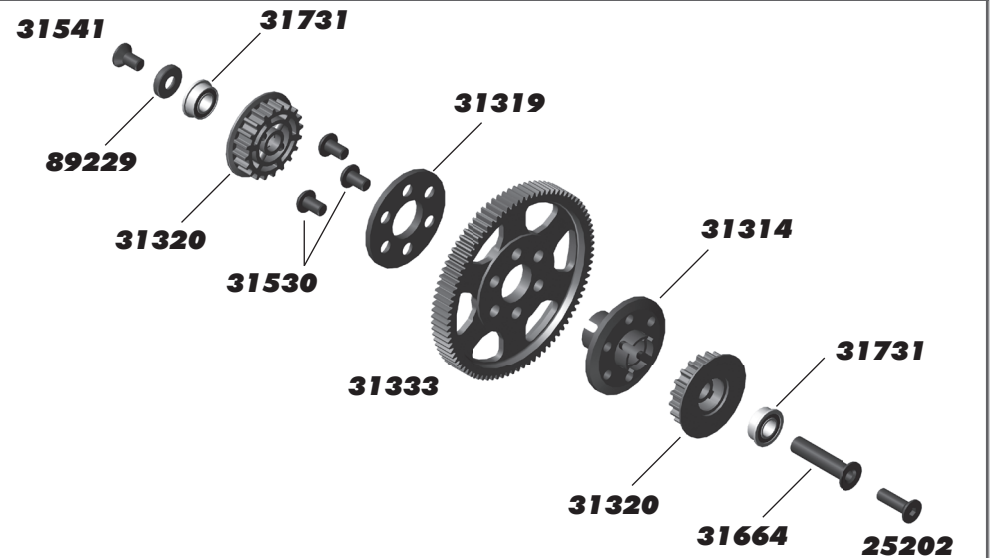


:: Spur Gear Assembly

25202	M3 x 10mm FHCS	20
31314	Spur Gear Hub	1
31319	Spur Clamping Ring	1
31320	Spur Pulley, 20T	2
31530	M3 x 5mm BHCS	6
31541	M3 x 6mm FHCS	6
31664	TC7 Spur Gear Shaft	1
31731	FT 4x8x3mm Flanged Bearing	4
89229	Blue Countersunk Washers	10

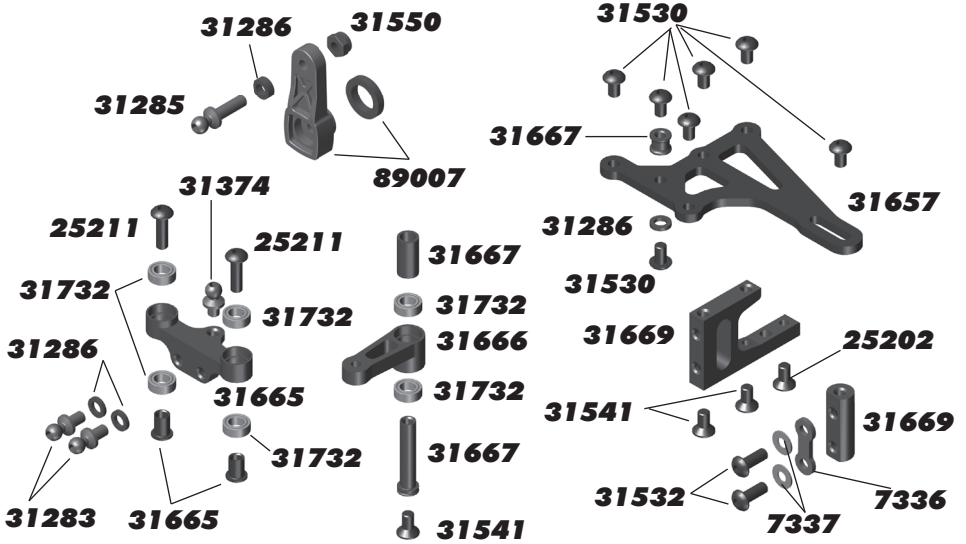
:: Spur Gears

3921	Spur Gear (69T/48P)	1
3922	Spur Gear (72T/48P)	1
3923	Spur Gear (75T/48P)	1
3924	Spur Gear (66T/48P)	1
3994	Spur Gear (73T/48P)	1
4462	Spur Gear (100T/64P)	1
4615	Spur Gear (96T/64P)	1
31332	Spur Gear (80T/48P)	1
31333	Spur Gear (87T/48P)	1
31334	Spur Gear (106T/64P)	1
31335	Spur Gear (115T/64P)	1



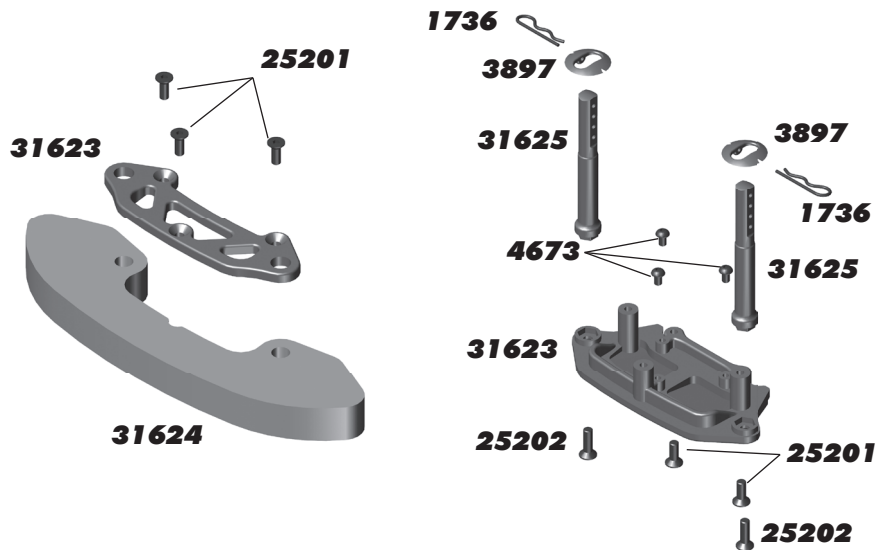
:: Steering Bellcrank and Servo Mounts

7336	Steering Servo Mount Kit	1
7337	.250" x.125" x.015" Washer	4
25202	M3 x 10mm FHCS	20
25211	M3 x 10mm BHCS	20
31283	5mm Ballstud, long	6
31285	Ballstuds, long, 10mm	6
31286	Aluminum Ballstud Washers, Set	1
31374	FT TiN 3.25mm Ballstud, short	2
31530	M3 x 5mm BHCS	6
31532	M3 x 8mm BHCS	6
31541	M3 x 6mm FHCS	6
31550	FT M3 Locknut, blue aluminum	6
31657	TC7 Servo Mount Brace	1
31665	TC7 Steering Rack Set	1
31666	TC7 Steering Bellcrank	2
31667	TC7 Steering Bellcrank Post Set	1
31669	TC7 Servo Mount Set	1
31732	FT 4x7x2.5mm Bearing	4
89007	Steering Servo Horn & Ring	1



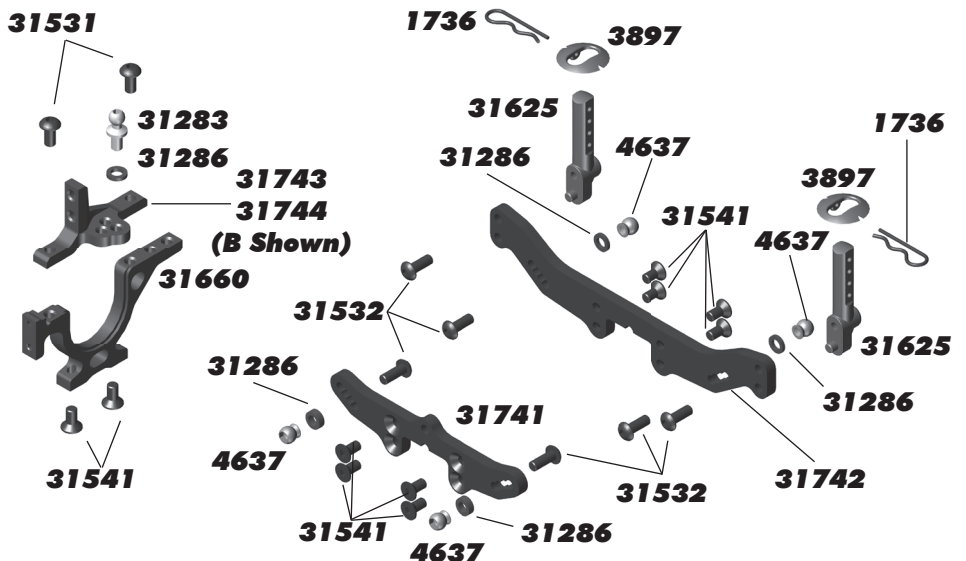
:: Front Bumper

1736	FT Body Clips, short	6
3897	Pivoting Body Mounts, Set	1
4673	M2.5 x 4mm BHCS	6
25201	M3 x 8mm FHCS	20
25202	M3 x 10mm FHCS	20
31623	TC6.2 Bumper Set	1
31624	TC6.2 Foam Bumper	1
31625	TC6.2 Body Post Set	1



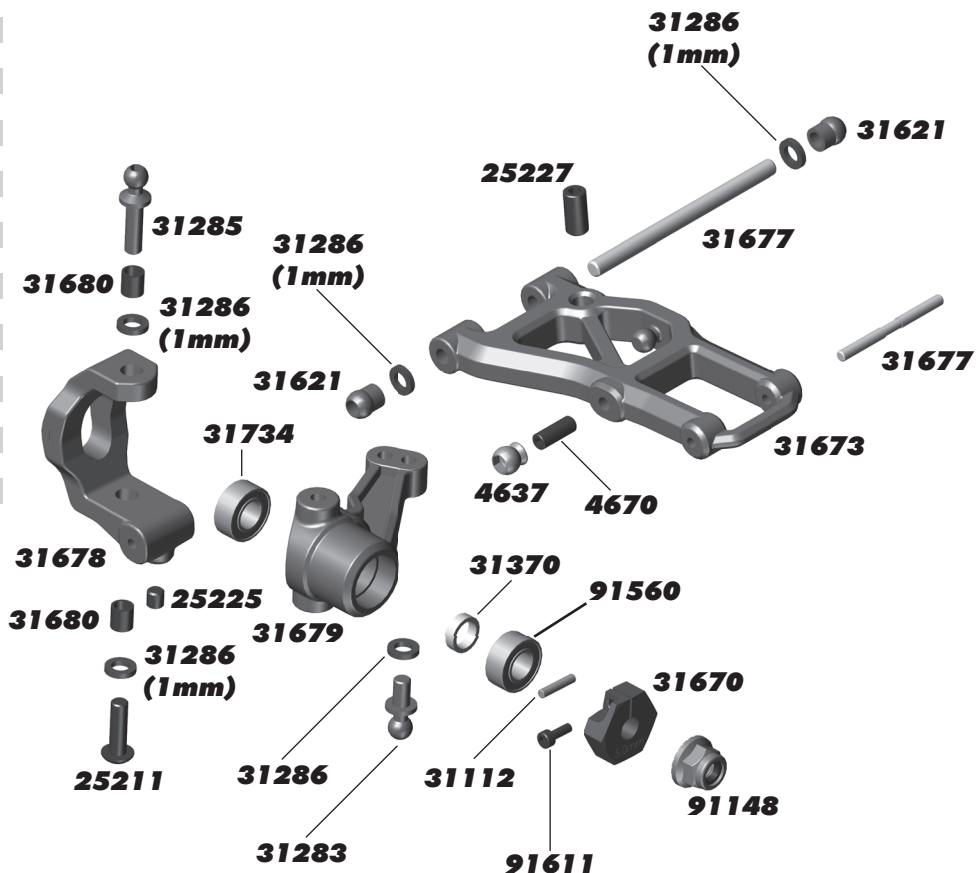
:: Front and Rear Shock Towers

1736	FT Body Clips, short	6
3897	Pivoting Body Mounts, Set	1
4637	FT Pivot Balls	8
31283	Ballstuds, long, 5mm	6
31286	Aluminum Ballstud Washers, Set	1
31531	M3 x 6mm BHCS	6
31532	M3 x 8mm BHCS	6
31541	M3 x 6mm FHCS	6
31625	TC6.2 Body Post Set	1
31660	TC7 Bulkhead	1
31741	TC7.1 Front Shock Tower	1
31742	TC7.1 Rear Shock Tower	1
31743	TC7.1 Bearing Cap (A)	2
31744	TC7.1 Bearing Cap (B)	2



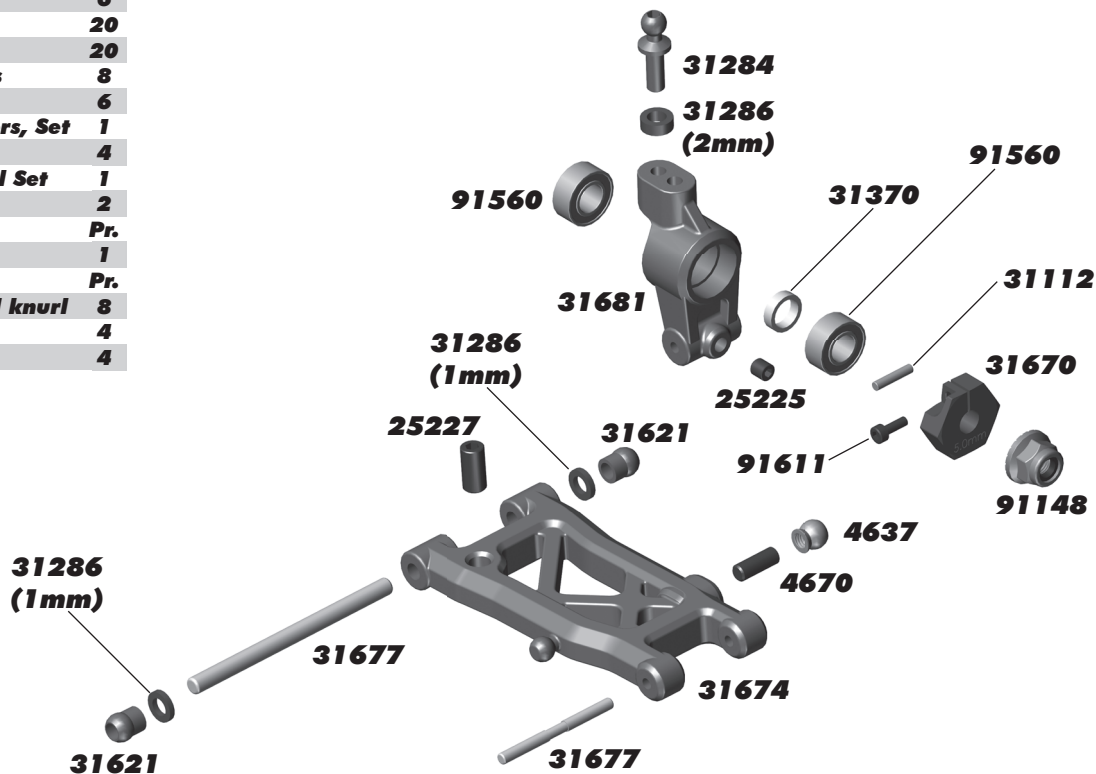
:: Front Bulkhead

4637	FT Pivot Balls	8
4670	M3 x 8mm Set Screw	6
25211	M3 x 10mm BHCS	20
25225	M3 x 3mm Set Screw	20
25227	M4 x 8mm Setscrew	20
31112	1/16" x 5/16" Dowel Pins	8
31283	Ballstuds, long, 5mm	6
31285	Ballstuds, long, 10mm	6
31286	Aluminum Ballstud Washers, Set	1
31370	TC6.1 Axle Crush Tubes	4
31621	TC6.2 Inner Hinge Pin Ball Set	1
31670	TC7 Wheel Hex, 5mm	2
31673	TC7 Front Suspension Arm	Pr.
31677	TC7 Hinge Pin Set	1
31678	TC7 Caster Block, 4 deg	Pr.
31679	TC7 Steering Block	Pr.
31680	TC7 King Pin Bushing	2
31734	FT Bearing 5 x 10 x 3mm	4
91148	M4 Locknut, w/flange and knurl	8
91560	FT Bearing 5 x 10 x 4mm	4
91611	M1.6 x 5mm SHCS	4



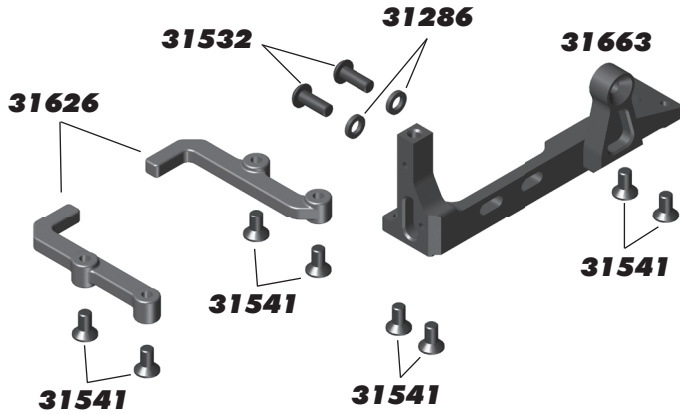
:: Rear Bulkhead

4637	FT Pivot Balls	8
4670	M3 x 8mm Set Screw	6
25225	M3 x 3mm Set Screw	20
25227	M4 x 8mm Setscrew	20
31112	1/16" x 5/16" Dowel Pins	8
31284	8mm Ballstud, long	6
31286	Aluminum Ballstud Washers, Set	1
31370	TC6.1 Axle Crush Tubes	4
31621	TC6.2 Inner Hinge Pin Ball Set	1
31670	TC7 Wheel Hex, 5mm	2
31674	TC7 Rear Suspension Arm	Pr.
31677	TC7 Hinge Pin Set	1
31681	TC7 Hub, 0 deg.	Pr.
91148	M4 Locknut, w/flange and knurl	8
91560	FT Bearing 5 x 10 x 4mm	4
91611	M1.6 x 5mm SHCS	4



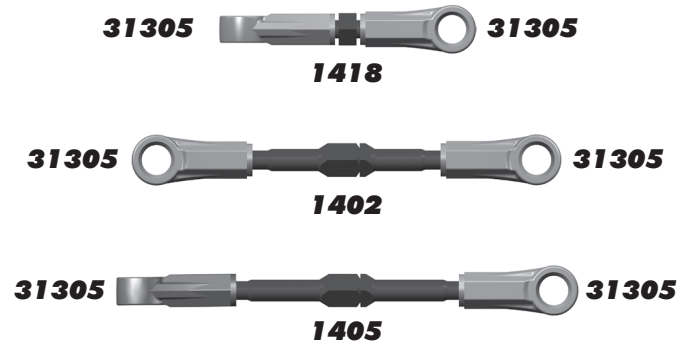
:: Motor Mount / Battery Mount

31286	Aluminum Ballstud Washers, Set	1
31532	M3x8mm BHCS	6
31541	M3x6mm FHCS	8
31626	TC6.2 LiPo Brace Set	1
31663	TC7 Motor Mount	1



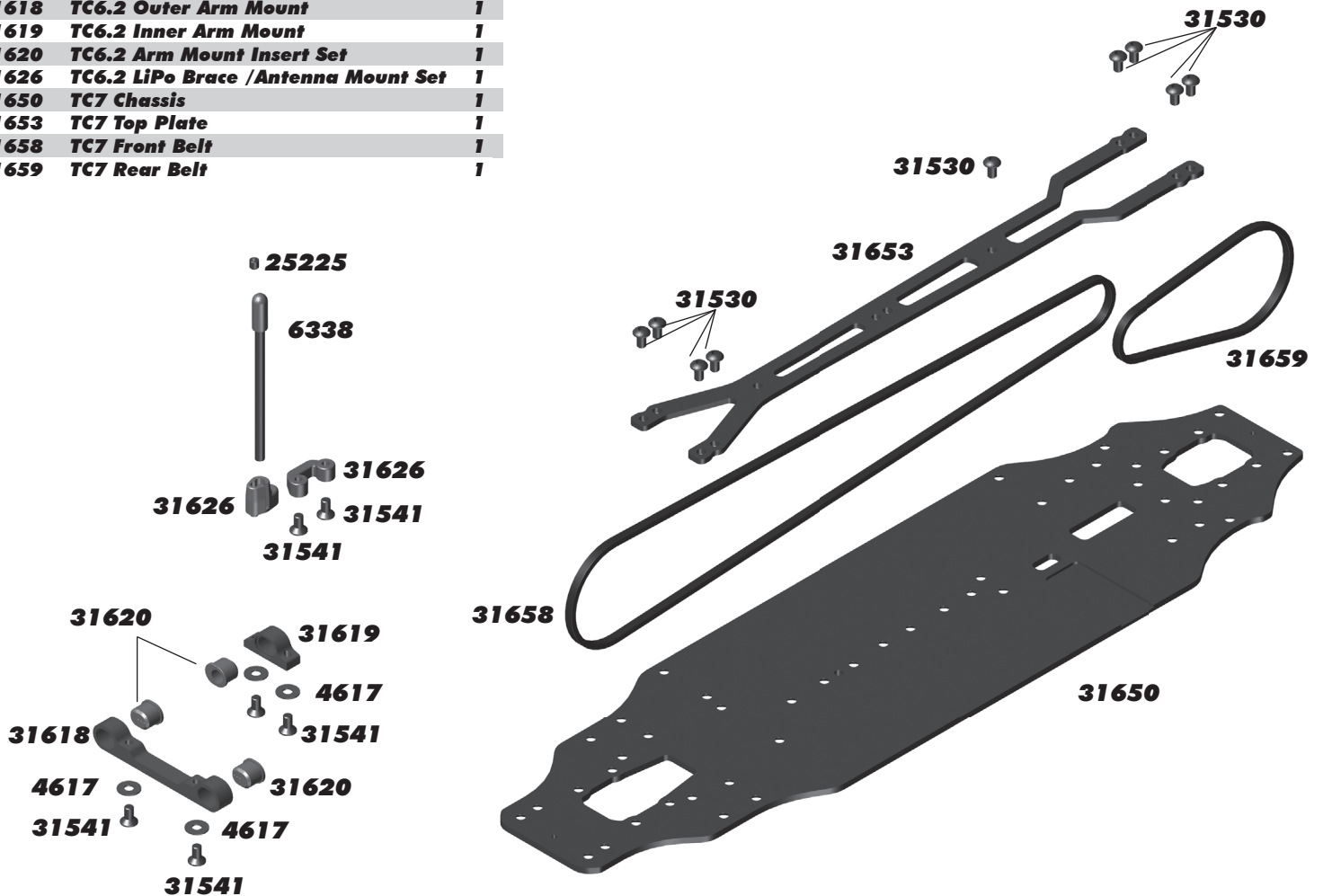
:: Turnbuckles

1402	FT Blue Titanium Turnbuckles 1.375"	Pr.
1405	FT Blue Titanium Turnbuckle 1.875"	Pr.
1418	FT Blue Titanium Turnbuckle 0.825"	Pr.
31305	Turnbuckle Eyelet	14



:: Chassis / Top Plate / Belts / Antenna / Arm Mounts

4617	Front Bulkhead Shim Set	1
6338	Antenna Tube 12", black	1
25225	M3 x 3mm Set Screw	20
31530	M3 x 5mm BHCS	6
31541	M3 x 6mm FHCS	6
31618	TC6.2 Outer Arm Mount	1
31619	TC6.2 Inner Arm Mount	1
31620	TC6.2 Arm Mount Insert Set	1
31626	TC6.2 LiPo Brace /Antenna Mount Set	1
31650	TC7 Chassis	1
31653	TC7 Top Plate	1
31658	TC7 Front Belt	1
31659	TC7 Rear Belt	1



:: Lubes & Adhesives / Misc.

1105	FT Green Slime Shock Lube	1
1596	FT Locking Adhesive	1
1597	FT Tire Adhesive, Medium	1
5450	Silicone Diff Fluid 1,000CST	1
5451	Silicone Diff Fluid 2,000CST	1
5452	Silicone Diff Fluid 3,000CST	1
5444	Silicone Diff Fluid 4,000CST	1
5453	Silicone Diff Fluid 5,000CST	1
5446	Silicone Diff Fluid 6,000CST	1
5447	Silicone Diff Fluid 15,000CST	1
5454	Silicone Diff Fluid 7,000CST	1
5455	Silicone Diff Fluid 10,000CST	1
5456	Silicone Diff Fluid 20,000CST	1
5457	Silicone Diff Fluid 30,000CST	1
5458	Silicone Diff Fluid 60,000CST	1
5448	Silicone Diff Fluid 80,000CST	1
5459	Silicone Diff Fluid 100,000CST	1
5461	Silicone Diff Fluid 200,000CST	1
5463	Silicone Diff Fluid 500,000CST	1
5465	Silicone Diff Fluid 1,000,000CST	1
6588	Black Grease - 4cc	1
6591	S.Diff Lube - 4cc	1
6636	Silicone Grease - 4cc	1
6727	Servo Tape	2
9787	Chassis Protective Sheet	1



1596

:: Decals

726	Reedy 2016 Sticker Set	1
3816	American Bumper Sticker	1
3834	AE Blue Embossed Logo Sticker	2
31770	TC7.1 Decal Sheet	1

:: Factory Team and Option Parts

1401	FT Blue Titanium Turnbuckle 1.300"	2
1404	FT Blue Titanium Turnbuckle 1.775"	2
1734	FT Blue Body Clip, 4 long, 6 short	10
1735	FT Blue Body Clip, long	4
1736	FT Blue Body Clip, short	6
3927	Radial Heatsink, narrow	1
3928	Radial Heatsink, wide	1
4617	12R5 Front Bulkhead Shims (0.5, 1.0, 2.0)mm 4 ea	12
25391	FT 4mm Locknuts, blue	10
31280	5mm Ballstud, short	6
31281	8mm Ballstud, short	6
31282	10mm Ballstud, short	6
31283	5mm Ballstud, long	6
31284	8mm Ballstud, long	6
31285	10mm Ballstud, long	6
31286	Aluminum Ballstud Washer, Set	1
31288	Ti Nitride Ballstuds 5mm, short	2
31289	Ti Nitride Ballstuds 8mm, short	2
31290	Ti Nitride Ballstuds 10mm, short	2
31291	Ti Nitride Ballstuds 5mm, long	2
31292	Ti Nitride Ballstuds 8mm, long	2
31293	Ti Nitride Ballstuds 10mm, long	2
31296	TC6 Ballast Weight	1
31441	10-Spoke Wheel, black	2
31442	5-Spoke Wheel, black	2
31443	5-Spoke Wheel, white	2
31466	5-Spoke Wheel, orange	2
31550	M3 Aluminum Lock Nut, blue	6
31551	M4 Aluminum Flange Lock Nut, blue	6
31629	TC6.2 Arm Mount Shims, Graphite (outer)	4ea.
31630	TC6.2 Arm Mount Shims, Graphite (inner)	2ea.
31637	TC6.2 Gear Diff Outdrive, Steel	1
31638	TC6.2 Spool Outdrive, Steel	1
31639	TC6.2 Belt Tensioner Kit	1
31640	TC6.2 Fan Mount Set	1
31641	TC6.2 30mm Cooling Fan	1
31652	TC7 Chassis, Aluminum	1
31668	TC7 Floating Steering Bellcrank Post	1

:: Factory Team and Option Parts Cont.

31671	TC7 Wheel Hex, 4mm	2
31672	TC7 Wheel Hex Spacer Set	1
31690	TC7 Shock Piston, (3x1.1G)	4
31733	TC7.1 FT Bearing Kit	1
91156	Bearing, 5 x 10 x 3, metal (used with #31632)	2
91493	FT Low Friction X-Rings	8

:: Pinions

1335	17T 48P Aluminum Pinion Gear	1
1336	18T 48P Aluminum Pinion Gear	1
1337	19T 48P Aluminum Pinion Gear	1
1338	20T 48P Aluminum Pinion Gear	1
1339	21T 48P Aluminum Pinion Gear	1
1340	22T 48P Aluminum Pinion Gear	1
1341	23T 48P Aluminum Pinion Gear	1
1342	24T 48P Aluminum Pinion Gear	1
1343	25T 48P Aluminum Pinion Gear	1
1344	26T 48P Aluminum Pinion Gear	1
1345	27T 48P Aluminum Pinion Gear	1
1346	28T 48P Aluminum Pinion Gear	1
1347	29T 48P Aluminum Pinion Gear	1
1348	30T 48P Aluminum Pinion Gear	1
1349	31T 48P Aluminum Pinion Gear	1
1350	32T 48P Aluminum Pinion Gear	1
1351	33T 48P Aluminum Pinion Gear	1
1352	34T 48P Aluminum Pinion Gear	1
1353	35T 48P Aluminum Pinion Gear	1

:: Reedy Motors

252	Sonic 540-M3 25.5	1
253	Sonic 540-M3 21.5	1
254	Sonic 540-M3 17.5	1
255	Sonic 540-M3 13.5	1
256	Sonic 540-M3 10.5	1
257	Sonic 540-M3 9.5	1
258	Sonic 540-M3 8.5	1
259	Sonic 540-M3 8.0	1
260	Sonic 540-M3 7.5	1
261	Sonic 540-M3 7.0	1
262	Sonic 540-M3 6.5	1
263	Sonic 540-M3 6.0	1
264	Sonic 540-M3 5.5	1
265	Sonic 540-M3 5.0	1
266	Sonic 540-M3 4.5	1
267	Sonic 540-M3 4.0	1
268	Sonic 540-M3 3.5	1
269	Sonic 540-M3 SS 17.5 1S	1
270	Sonic 540-M3 SS 13.5 1S	1
284	Sonic 540-M3 SS 21.5 1S	1
285	Sonic 540-M3 SS 10.5 1S	1
271	Sonic 540-M3 Spec Rotor 12.0 x 7.25 x 25.3	1
272	Sonic 540-M3 Spec Rotor 12.2 x 7.25 x 25.3	1
273	Sonic 540-M3 Spec Rotor 12.5 x 7.25 x 25.3	1
274	Sonic 540-M3 Mod Rotor 12.3 x 5.0 x 25.3	1
275	Sonic 540-M3 Mod Rotor 12.5 x 5.0 x 25.3	1
276	Sonic 540-M3 Mod Rotor 13.0 x 5.0 x 25.3	1
277	Sonic 540-M3 Stainless Steel Bearing Set	1
278	Sonic 540-M3 Ceramic Bearing Set	1
279	Sonic 540-M3 Sensor Assembly	1
280	Sonic 540-M3 Rotor Spacer Set	1
281	Sonic 540-M3 Case Screws w/Insulator	1
282	Sonic 540-M3 Motor Mounting Plate SS	1
283	Sonic 540-M3 Motor Mounting Plate	1

:: Reedy Batteries and Chargers

302	AA Alkaline 1.5V (4)	1
304	LiPo Pro TX/RX Battery 1600mAh 7.4V Flat	1
305	LiFe Pro TX/RX Battery 1300mAh 6.6V Flat	1
315	LiPo Pro TX/RX Battery 2100mAh 7.4V Flat	1
316	LiPo 65C 5000mAh 7.4V	1
321	LiPo 70C 6000mAh 7.4V	1
607	Charge Harness 2S Standard Pack 4mm	1
611	Charge Harness 2S Standard Pack 5mm	1
637	LiPo TX Battery - M11X 2500mAh 7.4V	1
638	LiFe RX Battery 1700mAh 6.6V	1
639	LiPo RX Battery 1200mAh 7.4V	1
640	LiPo RX Battery 2300mAh 7.4V	1
739	Wolfpack LiPo 5500mAh 7.4V 60C	1
996	5.0mm 1S-2S Balance Charge lead w/SP Clip	1
997	4.0mm 1S-2S Balance Charge lead w/SP Clip	1
27200	1216-C2 Dual AC/DC Comp. Battery Charger	1
27220	7-in-1 Universal Charge Lead (4mm)	1
27221	T-plug Charge Lead (4mm)	1
27222	XH 2-6S Balance Board (4mm)	1
27223	RX Charger Lead FUT (4mm)	1
27224	US to IEC 320 C5 angle 1M AC Power Cord	1
27225	US to IEC 320 C5 angle .5M AC Power Cord	1
27226	EU to IEC 320 C5 angle 1M AC Power Cord	1
27227	UK to IEC 320 C5 angle 1M AC Power Cord	1
27228	AU to IEC 320 C5 angle 1M AC Power Cord	1
27229	CN to IEC 320 C5 angle 1M AC Power Cord	1
27300	Zappers LiPo 100C 6000mAh 7.6V 280g	1
27301	Zappers LiPo 100C 5600mAh 7.4V 280g	1
27302	Zappers LiPo 100C 8000mAh 7.6V 325g	1
27303	Zappers LiPo 100C 7400mAh 7.4V 325g	1

:: Reedy Electronics

27002	Blackbox 800Z 2S Zero-Timing Competition ESC	1
27003	Blackbox 1000Z+ 2S Competition ESC	1
27004	Blackbox 510R Competition ESC	1
27005	Blackbox 510R Comp. ESC w/PROgrammer2	1
27024	Blackbox Pro Capacitor Unit	1
27026	Blackbox 1000Z+ Fan w/Screws	1
27027	Blackbox PROgrammer2	1
27028	Blackbox 30x30x7mm Fan w/screws	1
27029	Blackbox Pro Modified Capacitor Unit	1
27030	Blackbox ESC/Programmer2 Connection Wire	1

:: Reedy Accessories

643	Low Profile Bullet Plug 4mm x 14mm (2)	1
644	Low Profile Bullet Plug 4mm x 14mm (10)	1
645	Low Profile Bullet Plug 5mm x 14mm (2)	1
646	Low Profile Bullet Plug 5mm x 14mm (10)	1
647	Silicone Wire 12AWG-Black (1m)	1
648	Silicone Wire 14AWG-Black (1m)	1
649	Silicone Wire 16AWG-Black (1m)	1
650	Shrink Tubing - 15pcs 4.5mm x 20mm	1
654	4.0mm Bullet Plugs (2M, 2F)	1
655	4.0mm Bullet Plugs (2M, 10F)	1
656	4.0mm Bullet Plugs (10F)	1
657	4.0mm Bullet Plugs (100F)	1
658	4.0mm Bullet Plugs (10M)	1
659	4.0mm Bullet Plugs (30M)	1
669	5.0mm Bullet Plugs (2M)	1
747	Silicone Wire 12AWG-Black (30m)	1
748	Silicone Wire 14AWG-Black (30m)	1
749	Silicone Wire 16AWG-Black (30m)	1
790	Silicone Wire 13AWG-Black (1m)	1
791	Silicone Wire 13AWG-Black (30m)	1
792	Low Profile Caged Bullet Plug 4mm x 14mm (2)	1
793	Low Profile Caged Bullet Plug 4mm x 14mm (10)	1
794	Low Profile Caged Bullet Plug 5mm x 14mm (2)	1
795	Low Profile Caged Bullet Plug 5mm x 14mm (10)	1
978	Flat Sensor Wire 70mm	1
979	Flat Sensor Wire 110mm	1
980	Flat Sensor Wire 150mm	1
981	Flat Sensor Wire 200mm	1
982	Flat Sensor Wire 270mm	1
994	Flat Sensor Wire 125mm	1
995	Flat Sensor Wire 175mm	1

:: XP Electronics

29138	XP SC500 Brushless ESC	1
29139	XP SC900-BL ESC	1
29141	XP SC450-BL Brushless ESC	1
29142	XP ESC Fan Option	1
29166	XP DS1313 Digital Servo	1
29167	XP DS1015 Digital Servo	1
29168	XP DS1510MG Servo	1
29210	Gear Set, DS1015	1
29211	Servo Case, DS1313/DS1015	1
29212	Accessory Pack, DS1313/DS1015	1
29214	TRS 403-SSI Receiver	1
29215	XP2G Radio System	1
29216	XP3G Radio System	1
29254	Receiver Antenna	1

:: RePlay Cameras

RP005	Replay XD PrimeX Camera System	1
RP021	Replay XD1080 Lens Bezel Kit	1
RP022	Replay XD1080 Clear Lens Cover	1
RP023	Replay XD1080 Lens Bezel & Rear Cap O-Ring	1
RP029	Replay XD1080 HDMI to Mini-HDMI	1
RP030	Replay XD1080 Mini 8-pin USB Charge Data Cable	1
RP032	USB DC Car Charger 1A Stubby	1
RP034	Micro SDHC USB Reader	1
RP036	3M VHB 4991 Mount Adhesive for SnapTray	1
RP042	Replay XD Suction Cup Short Arm Base	1
RP043	Replay XD Skateboard Mount	1
RP044	Replay XD VHB SnapTray, Convex	1
RP045	Replay XD VHB SnapTray, Flat	1
RP046	Au Plug for Universal DC Wall Charger	1
RP047	Eu Plug for Universal DC Wall Charger	1
RP048	Uk Plug for Universal DC Wall Charger	1
RP049	Universal USB DC Wall Charger 1A	1
RP050	Au Plug for Uni DC Wall Charger	1
RP055	Replay PrimeX Lens 5 pack	1
RP056	Replay PrimeX HDMI Cable	1
RP057	Replay PrimeX Deep Dive Waterproof Case	1
RP058	Replay PrimeX Heim Lock Mount	1
RP059	Replay PrimeX Low Boy Mount	1
RP060	Replay PrimeX Tilt Mount	1

:: Apparel

SP17**	AE INT'L T-Shirt - Black (S, M, L, XL-5XL)	1
SP18**	AE INT'L T-Shirt - White (S, M, L, XL-5XL)	1
SP19**	AE INT'L Hoodie - Black (S, M, L, XL-3XL)	1
SP20	AE Patch Trucker Hat	1
SP23**	AE Splash T-shirt - Black (S, M, L, XL-5XL)	1
SP24**	AE Splash T-shirt - Blue (S, M, L, XL-5XL)	1
SP29**	Team Associated Countertop / Setup Mat	1
SP31**	Reedy Countertop / Setup Mat	1
SP38	Reedy Trucker Hat	1
SP84**	Reedy 3D T-Shirt, Black (S, M)	1
SP87**	AE 2013 Zip Hoodie (S, M)	1
SP90**	AE Retro T-shirt, Blue (S, L, 2XL-5XL)	1
SP91**	AE Retro T-shirt, Black (3XL, 5XL)	1
SP92**	AE Retro T-shirt, White (S, XL-2XL, 4-5XL)	1
SP93**	AE 2013 Worlds T-shirt - Blue (S, M, L, XL-5XL)	1
SP110*	Reedy R-Powered T-Shirt - Black (S, M, L, XL-3XL)	1
SP111*	Reedy W15 Sweatshirt - Black (S, M, L, XL-3XL)	1
SP112*	Reedy Medallion T-Shirt - Black (S, M, L, XL-3XL)	1
SP114*	Circuit T-Shirt - Black (S, M, L, XL-3XL)	1
SP421S	AE 2012 Hat, Black, Flat Bill, S/M	1
SP421L	AE 2012 Hat, Black, Flat Bill, L/XL	1
SP422S	AE 2012 Hat, Black, Curved Bill, S/M	1
SP422L	AE 2012 Hat, Black, Curved Bill, L/XL	1
SP423S	AE 2012 Hat, White, Flat Bill, S/M	1
SP423L	AE 2012 Hat, White, Flat Bill, L/XL	1
SP424S	AE 2012 Hat, White, Curved Bill, S/M	1
SP424L	AE 2012 Hat, White, Curved Bill, L/XL	1
SP425	FT Fluid Carrier	1
715	Reedy 2009 Track Banner	1
110684	Team Associated Track Banner	1
110685	Team Associated Cloth Banner	1

** Use part number plus the desired size when ordering!

:: Kicker

29269	KICKER KPw Wireless Speaker System, black	1
29270	KICKER KPw Wireless Speaker System, white	1

:: Tools

1111	FT Turnbuckle Wrench	1
1112	FT 4mm Turnbuckle Wrench	1
1450	On Road Ride Height Gauge	1
1541	FT Hex Driver Set, (7 pcs)	1
1545	FT 5/64" Blue Hex Driver	1
1546	FT 3/32" Gold Hex Driver	1
1554	FT Silver Spring Hook Tool	1
1567	FT 8mm Gold Nut Driver	1
1568	FT 5.5mm Short Nut Driver	1
1569	FT 7mm Nut Driver, T-Handle	1
1570	FT 5.5mm Short Nut Driver	1
1590	FT 3/32" Gold Ball Hex Driver	1
1592	FT Ball Hex Driver Set, (3 pcs)	1
1655	FT 8-Piece 1/4" Hex Drive Set	1
1656	FT 1/4" Hex Drive Handle, without tips	1
1657	FT 1/4" Hex Drive .050" Tip	1
1658	FT 1/4" Hex Drive 1/16" Tip	1
1659	FT 1/4" Hex Drive 5/64" - 2.0mm Tip	1
1660	FT 1/4" Hex Drive 3/32" Tip	1
1661	FT 1/4" Hex Drive 1.5mm Tip	1
1662	FT 1/4" Hex Drive 2.5mm Tip	1
1663	FT 1/4" Hex Drive 3/16" Nut Driver Tip	1
1664	FT 1/4" Hex Drive 1/4" Nut Driver Tip	1
1665	FT 1/4" Hex Drive 11/32" Nut Driver Tip	1
1666	FT 1/4" Hex Drive 5.5mm Nut Driver Tip	1
1667	FT 1/4" Hex Drive 7.0mm Nut Driver Tip	1
1668	FT 1/4" Hex Drive 8.0mm Nut Driver Tip	1
1669	FT 1/4" Hex Drive 5/64" - 2.0mm Ball End Tip	1
1670	FT 1/4" Hex Drive 3/32" Ball End Tip	1
1671	FT 1/4" Hex Drive Standard Screwdriver Tip	1
1672	FT 1/4" Hex Drive Phillips Screwdriver Tip	1
1673	FT 1/4" Hex Drive 2.5mm Ball End Tip	1
1674	FT 1/4" 5 Piece Power Tool Tips Set (5/64-2.0mm, 1.5mm, 2.5mm, 5/64"- 2.0mm ball, 2.5mm ball)	1
1675	FT Shock Shaft Pliers	1
1679	FT T-Handle Ratchet Driver	1
1719	FT Camber + Track Width Tool	1
1737	FT Body Scissors	1
3718	12 Inch Nylon Wire Ties	12
3719	6 Inch Nylon Wire Ties	12
3720	8 Inch Nylon Wire Ties	12
3987	FT Droop Gauge	1
6429	Shock Building Tool	1
6956	Molded Tools, Set	1
7709	4 Inch Nylon Wire Ties	12

Associated Electrics, Inc.
26021 Commercentre Drive
Lake Forest, CA 92630-8853 USA
<http://www.TeamAssociated.com>
<http://www.RC10.com>
[http://twitter/Team Associated](http://twitter/TeamAssociated)
<http://bit.ly/AEonFacebook>

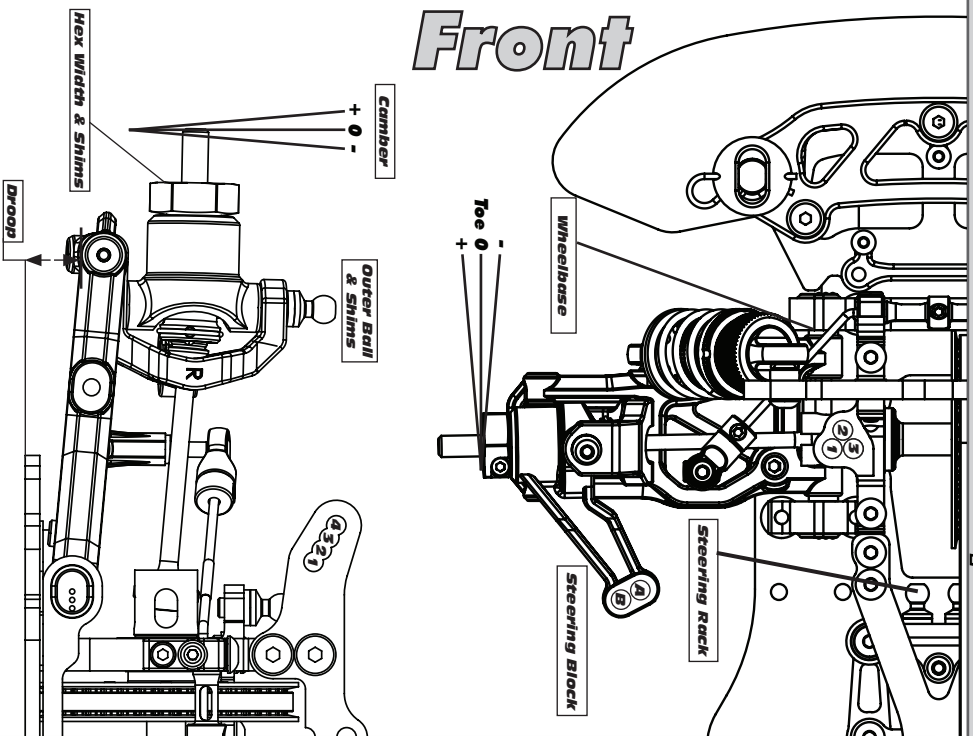
call: (949) 544-7500

fax: (949) 544-7501

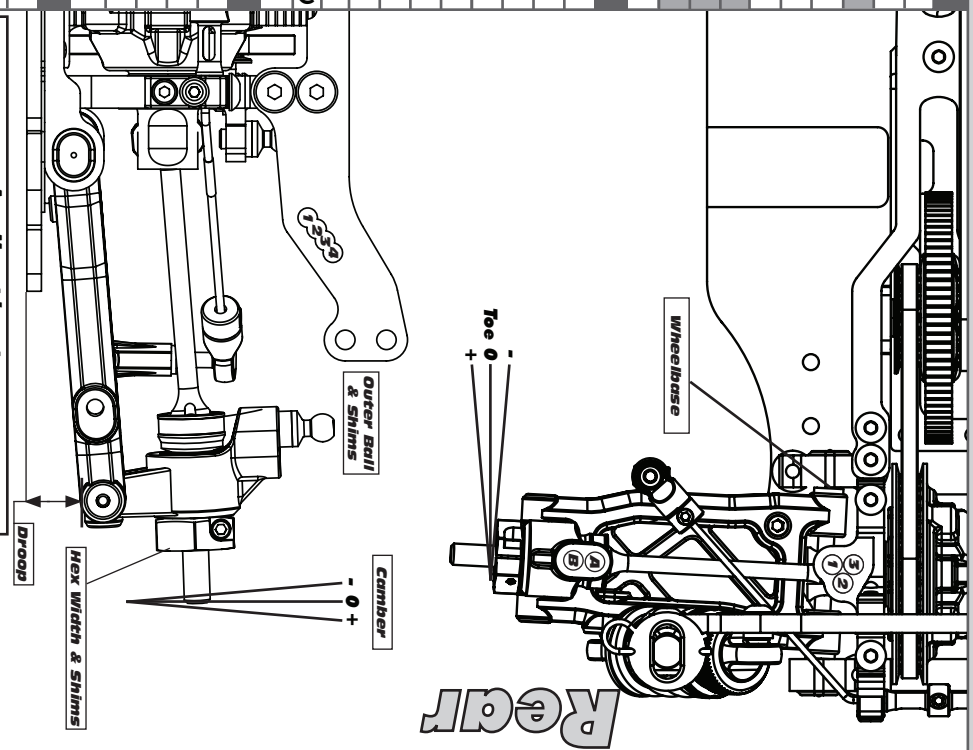
Check out the following web sites for all of our electric kits, current products, new releases, setup help, tips, and racing info!

www.TeamAssociated.com - www.RC10.com

Front



Rear



Front	Alignment	Rear
5.0mm	Ride Height	5.2mm
-2 deg	Camber	-2 deg
4 deg	Caster	N/A
+0.5 deg	Toe	-3 deg
5mm	Hex Width & Shims	5mm
1mm	Wheelbase	1mm
Silver + 1mm	Steering Rack Ball & Shims	N/A
B	Steering Block Position	N/A
Silver + 1mm	Steering Block Ball & Shims	N/A

Notes:

Suspension Geometry

	Shock Position	
2	Camber Link Position	2
1	Inner Ball & Shims	Silver + 1mm
Silver + 1mm	Outer Ball & Shims	Silver + 1mm
-3 dot	Outer Arm Mount Insert	1 dot
0.5mm	Outer Mount Shims	0.5mm
-3 dot	Inner Arm Mount Insert	1 dot
0.5mm	Inner Mount Shims	0.5mm
6	Droop	5
1.4mm (Blue)	Anti-Roll Bar	1.2mm (White)

Shocks

37.5wt	Fluid	37.5wt
1.1x4	Piston	1.1x4
25%	Rebound	25%
Blue	Spring	Blue

Notes:

Differentials

Speed	Type	Gear Diff
	Fluid	3000cst
	Diff Weight with Fluid	21.7 grams
mid-low	Cam Position	mid-low
9	Belt Tension Number	8

Notes:

Tires

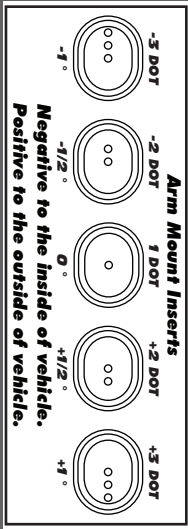
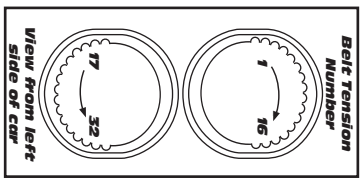
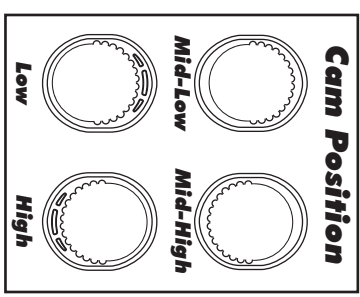
Type	
Tire Diameter	
Insert & Wheel	
Additive & Amount	

Notes:

Chassis

Classis:	
Top Plate:	

Notes:



Transmitter

Turning Circle:	E.S.C. Type:
Steering Expo:	E.S.C. Settings:
Brake E.R.:	Software Version:
Throttle Expo:	Notes:

Speed Control

Battery

Battery Weight:	Body & Wing
Battery Position:	Notes:

Motor

Notes:	
--------	--

Gearing

Notes:	
--------	--

Drivers _____

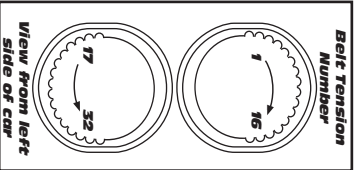
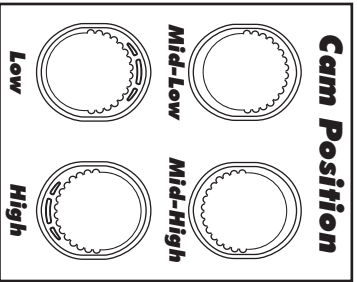
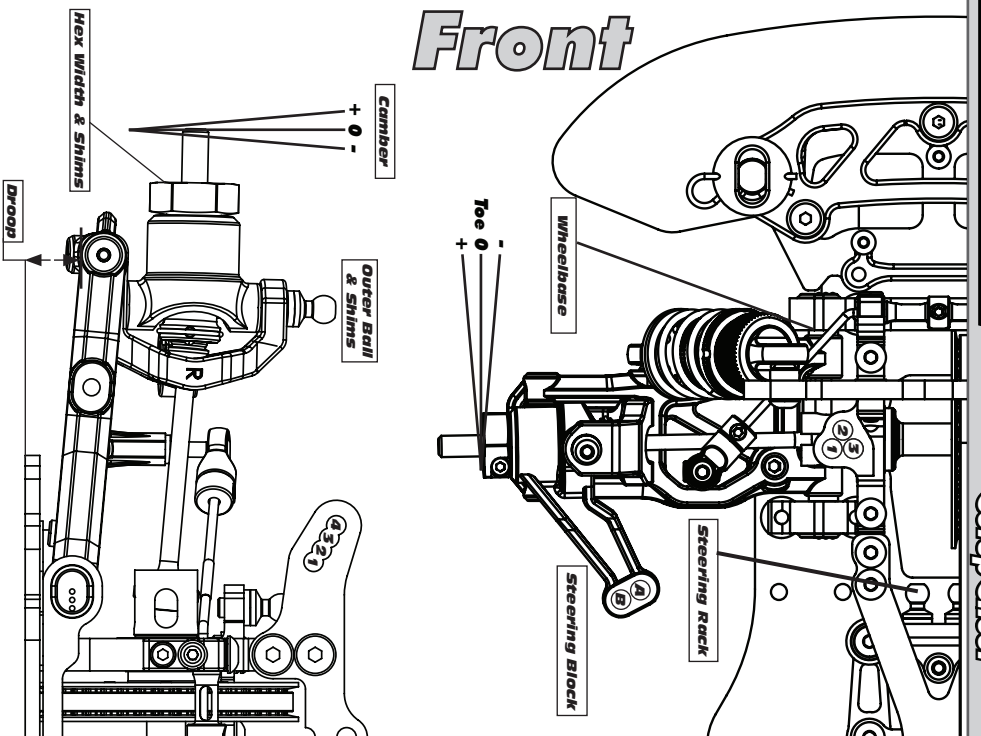
Tracks _____

Conditions: _____

Dates: _____

Event: _____

Front



Motor

Gearing

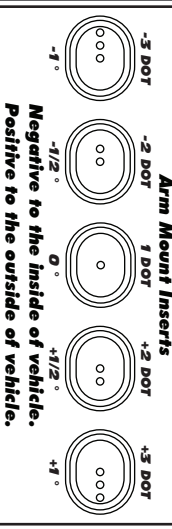
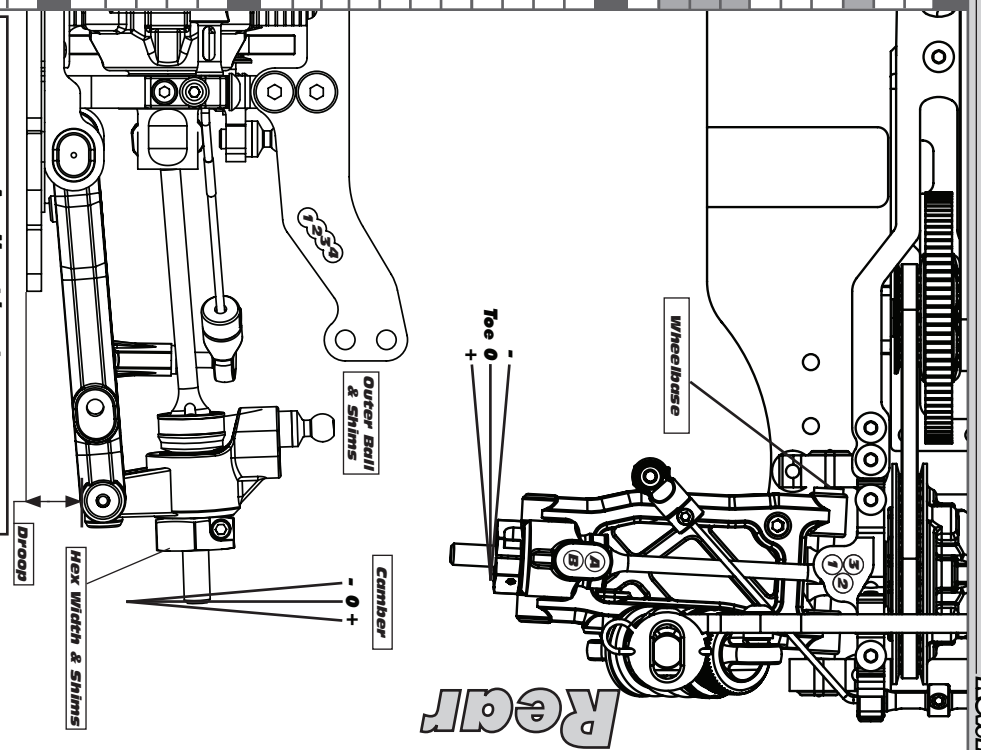
Notes:

Notes:

For more setups, visit www.teamassociated.com/manuals_and_setup_sheets/

Rev1

Rear



Transmitter		Speed Control	
Turning Circle:		E.S.C. Type:	
Steering Expo:		E.S.C. Settings:	
Brake E.R.:		Software Version:	
Throttle Expo:		Notes:	

Battery		Body & Wing	
Battery Weight:		Battery Position:	
Notes:		Notes:	

Alignment

Front	Rear
Ride Height	
Camber	
Caster	N/A
Toe	
Hex Width & Shims	
Wheelbase	
Steering Rack Ball & Shims	N/A
Steering Block Position	N/A
Steering Block Ball & Shims	N/A

Suspension Geometry

Shock Position	
Camber Link Position	
Inner Ball & Shims	
Outer Ball & Shims	
Outer Arm Mount Insert	
Outer Mount Shims	
Inner Arm Mount Insert	
Inner Mount Shims	
Droop	
Anti-Roll Bar	

Shocks

Fluid	
Piston	
Rebound	
Spring	

Differentials

Type	
Fluid	
Diff Weight with Fluid	
Cam Position	
Belt Tension Number	

Tires

Type	
Tire Diameter	
Insert & Wheel	
Additive & Amount	

Chassis

Classis:	
Top Plate:	
Notes:	



**Associated Electrics, Inc.
26021 Commercentre Dr.
Lake Forest, CA 92630 USA**

<http://www.TeamAssociated.com>

<https://www.RC10.com>

https://twitter/Team_Associated

<https://bit.ly/AEonFacebook>

call: (949) 544-7500 - fax: (949) 544-7501

**Check out the following web sites for all of our kits,
current products, new releases, setup help, tips, and racing info!
www.TeamAssociated.com - www.RC10.com**