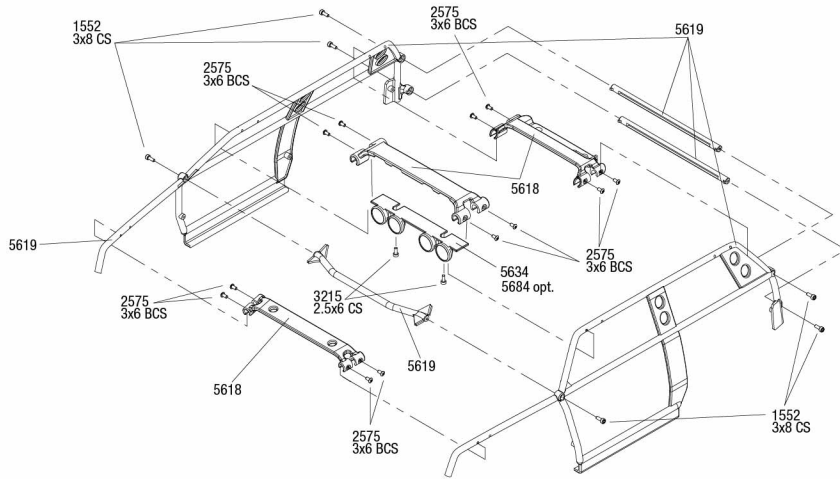


SUMMIT

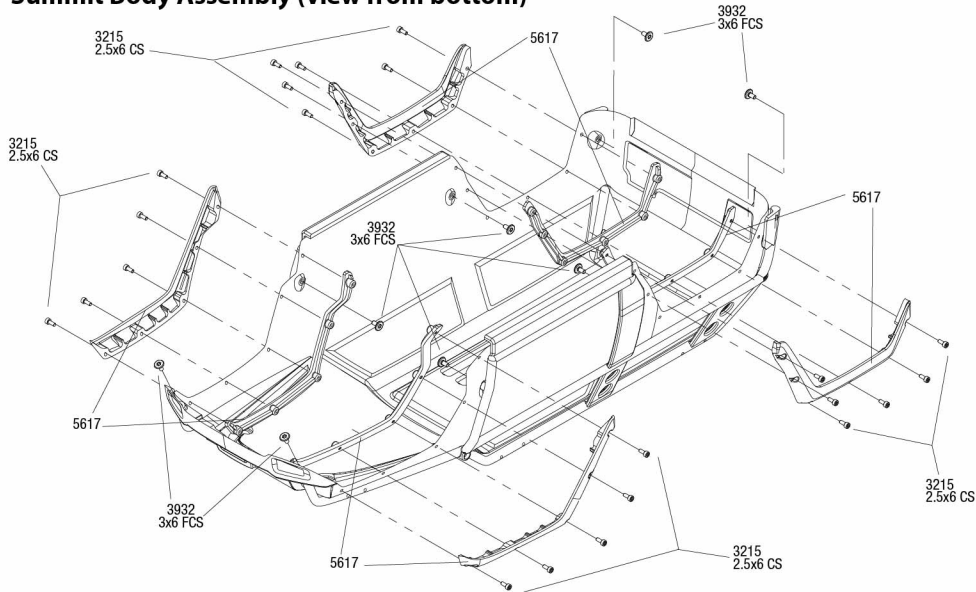
TRAXXAS

Driveshaft Assembly

Exocage Assembly

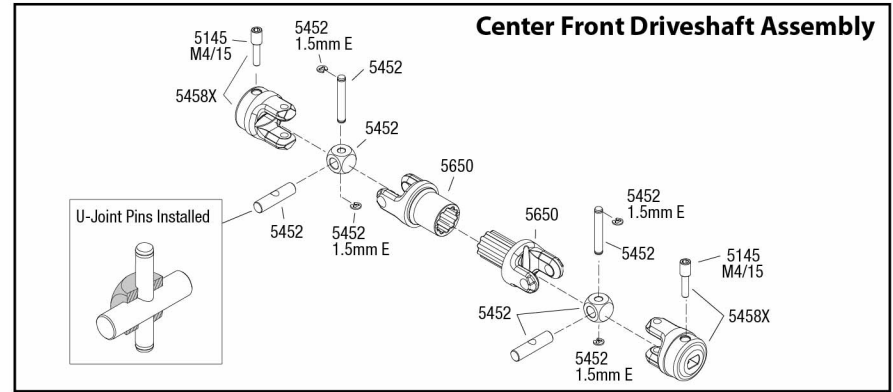


Summit Body Assembly (view from bottom)

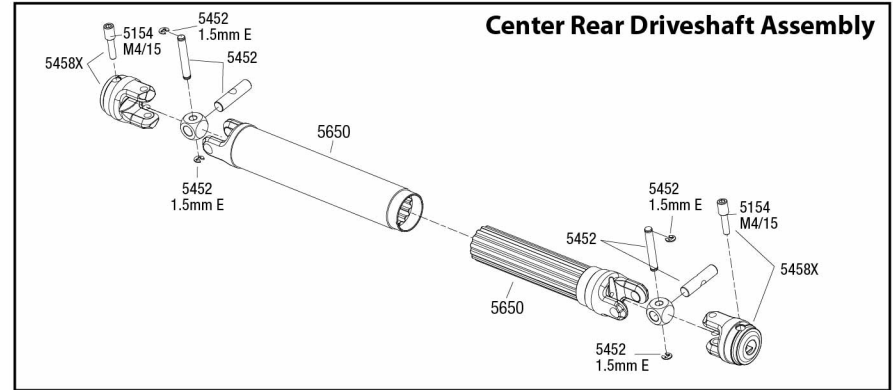


Every attempt has been made to ensure the accuracy of this drawing, however Traxxas cannot be held responsible for typographical or other errors. See Parts List for a complete listing of optional accessories.

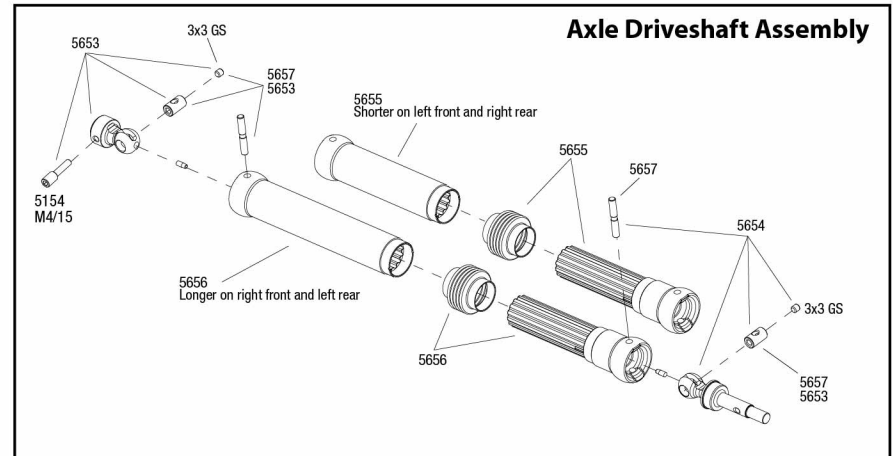
Center Front Driveshaft Assembly



Center Rear Driveshaft Assembly

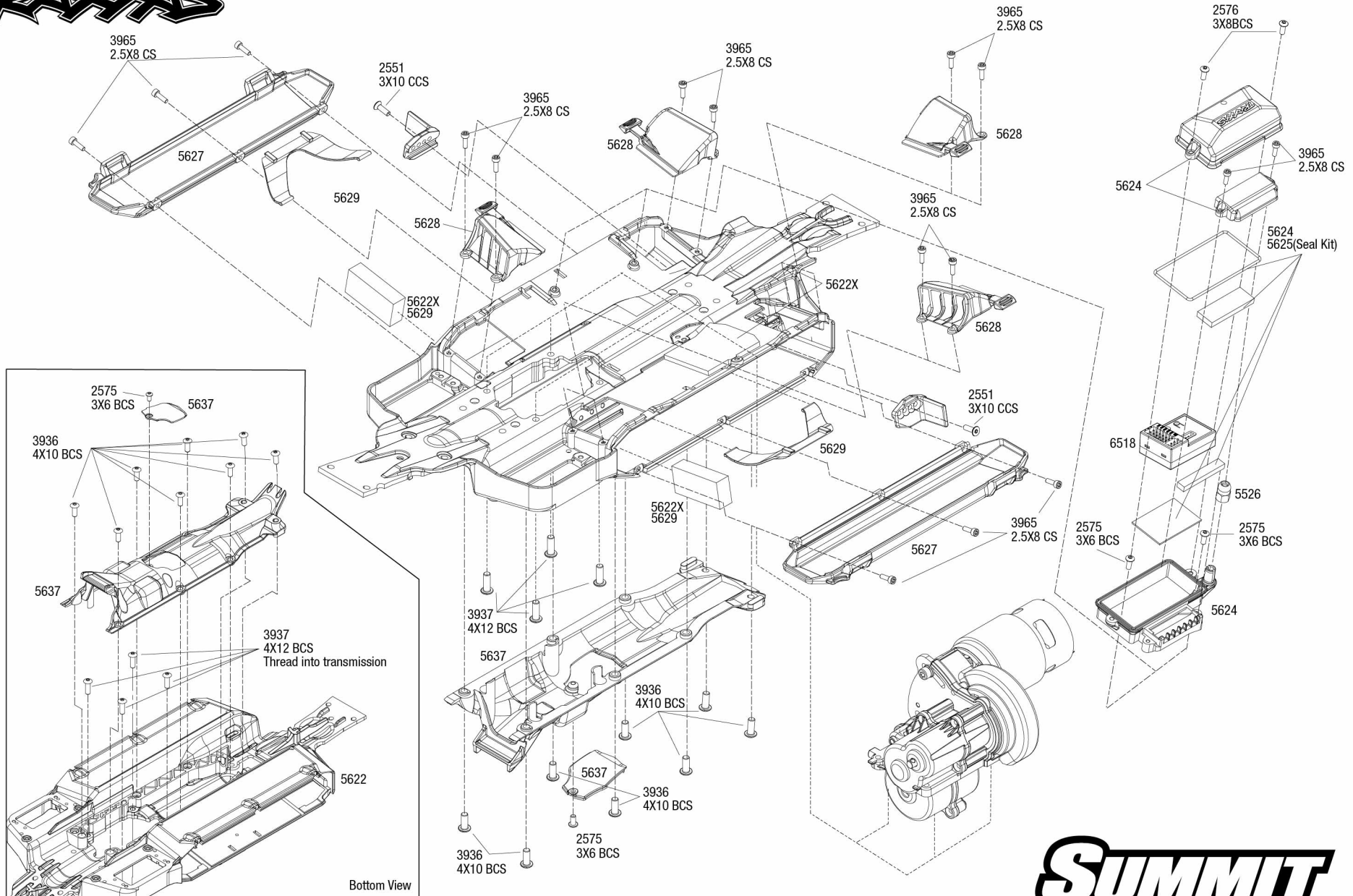


Axle Driveshaft Assembly



Specifications on this page are subject to change without notice.

REV 150319-R02



REV 150319-R02

Specifications on this page are subject to change without notice. Every attempt has been made to ensure the accuracy of this drawing, however Traxxas cannot be held responsible for typographical or other errors.

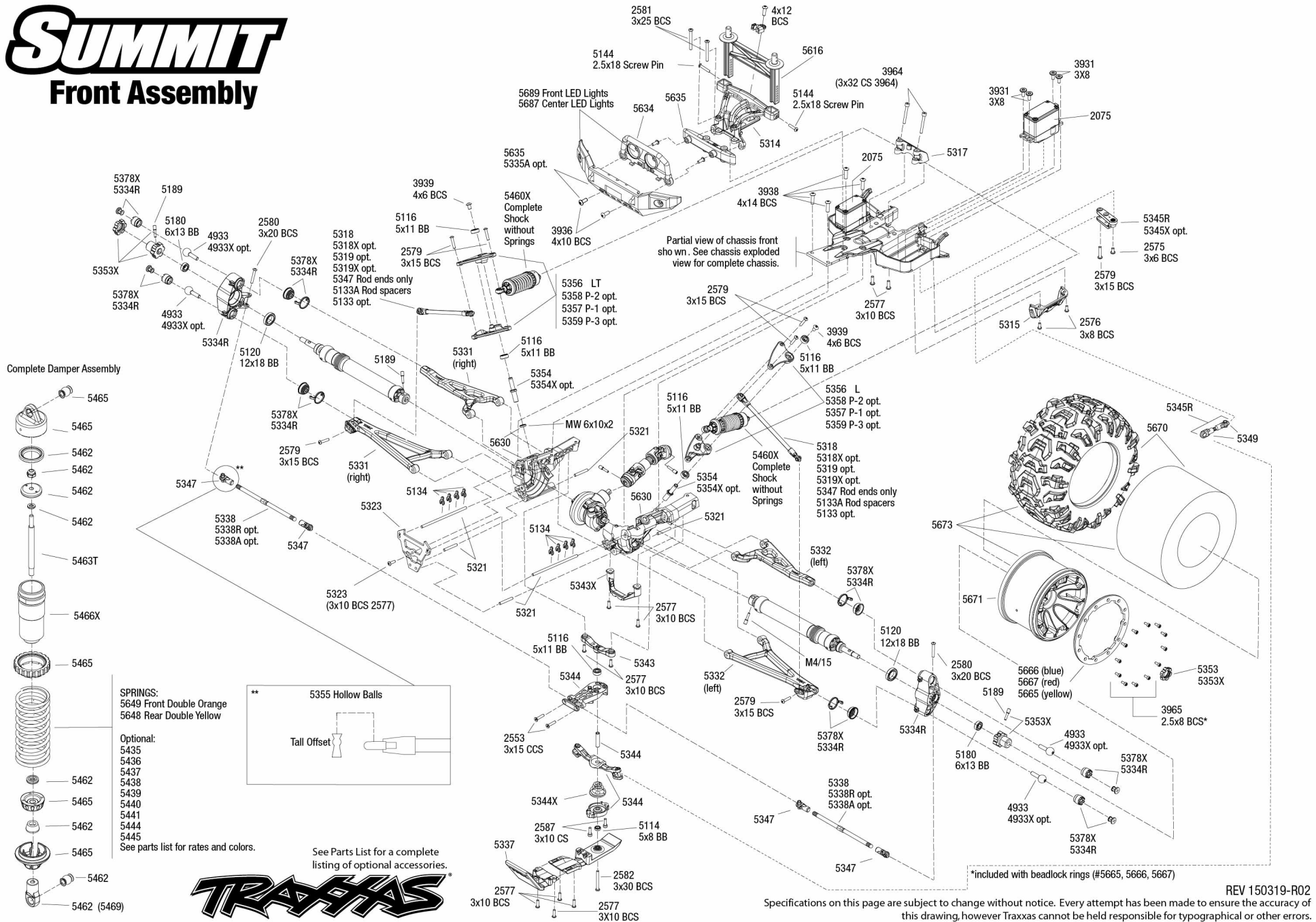
See Parts List for a complete listing of optional accessories.

SUMMIT

Chassis Assembly

SUMMIT

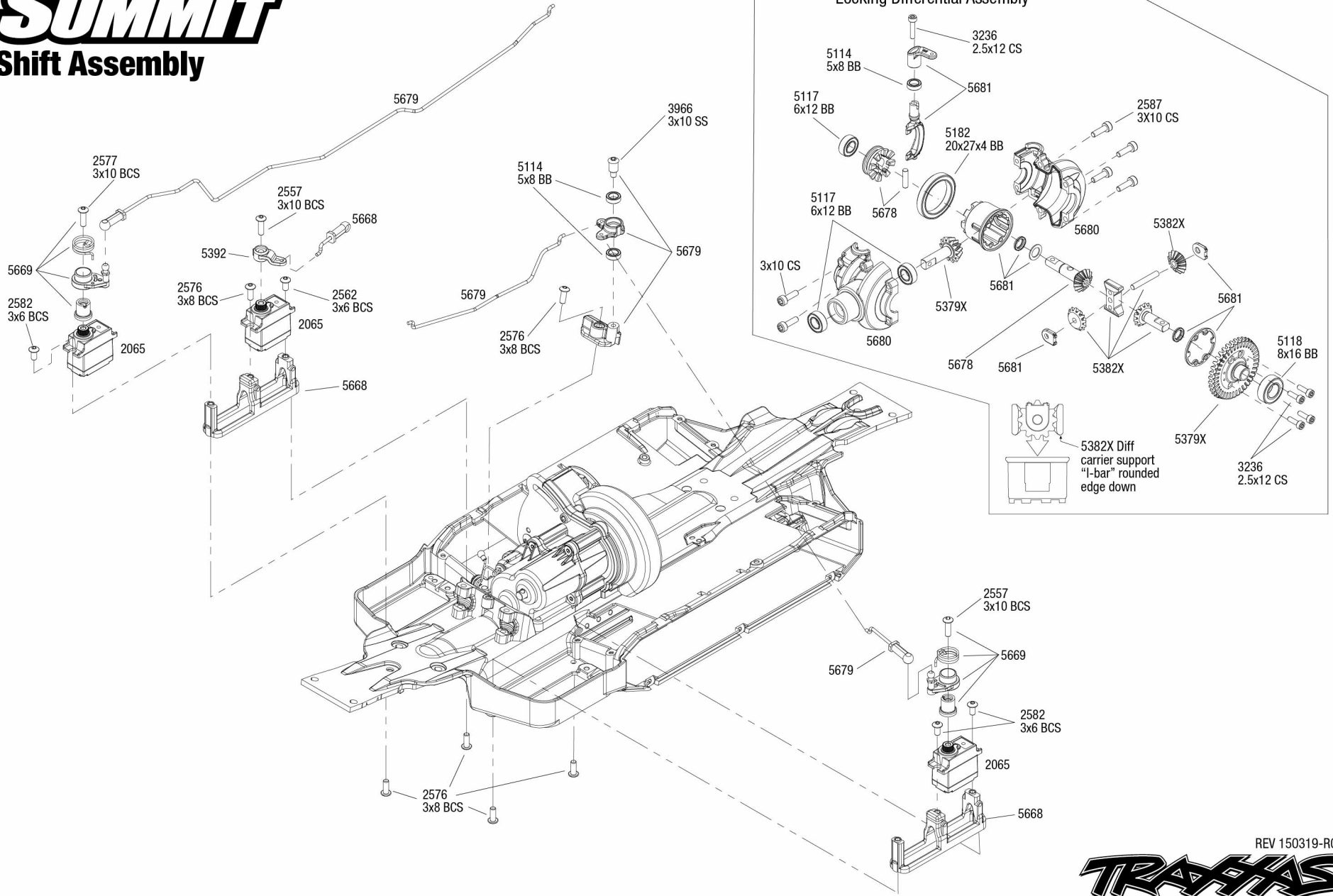
Front Assembly



REV 150319-R02
 Specifications on this page are subject to change without notice. Every attempt has been made to ensure the accuracy of this drawing, however Traxxas cannot be held responsible for typographical or other errors.

SUMMIT

Shift Assembly



See Parts List for a complete listing of optional accessories.

Specifications on this page are subject to change without notice. Every attempt has been made to ensure the accuracy of this drawing, however Traxxas cannot be held responsible for typographical or other errors.

