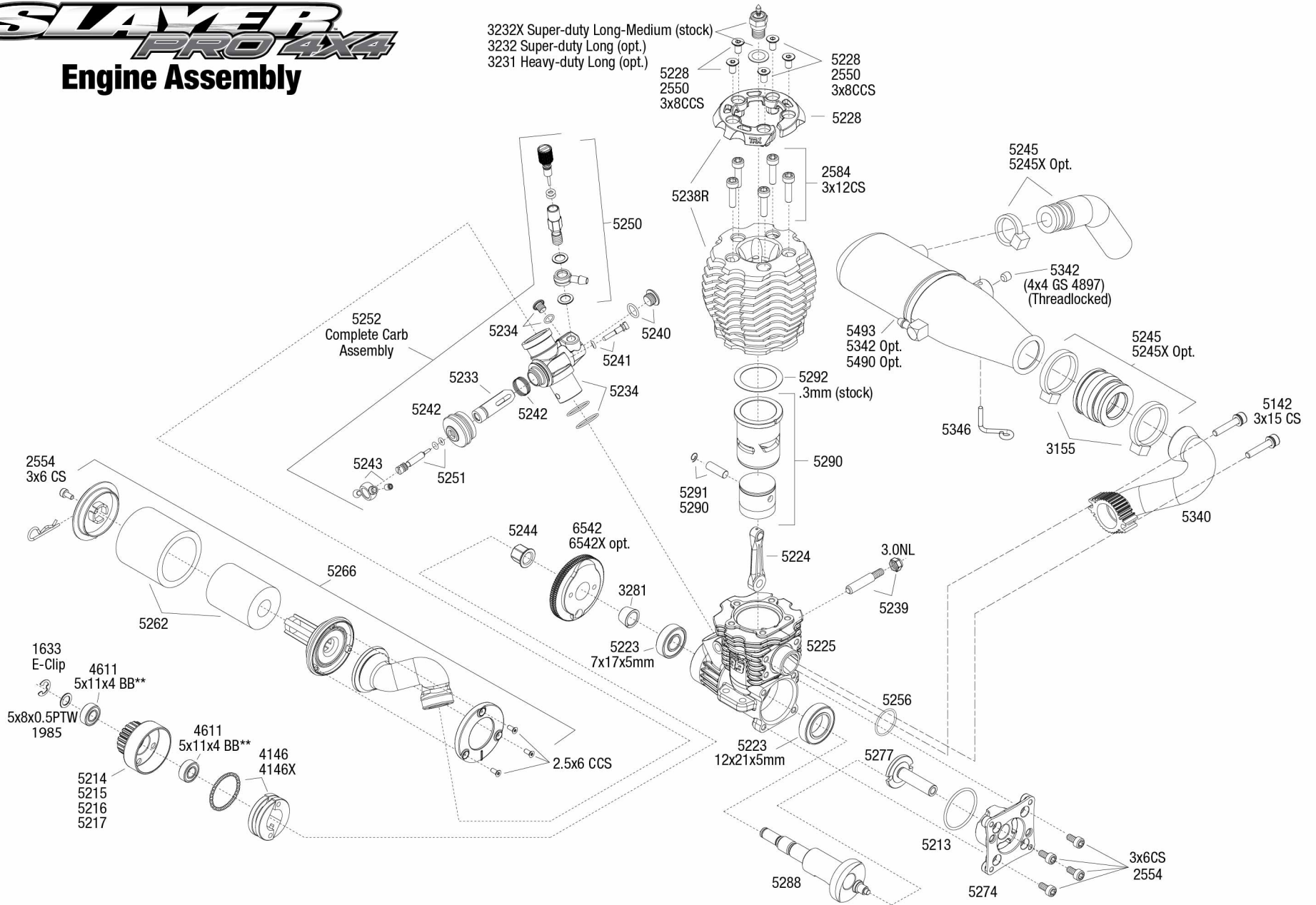


SLAYER PRO 4X4 Engine Assembly

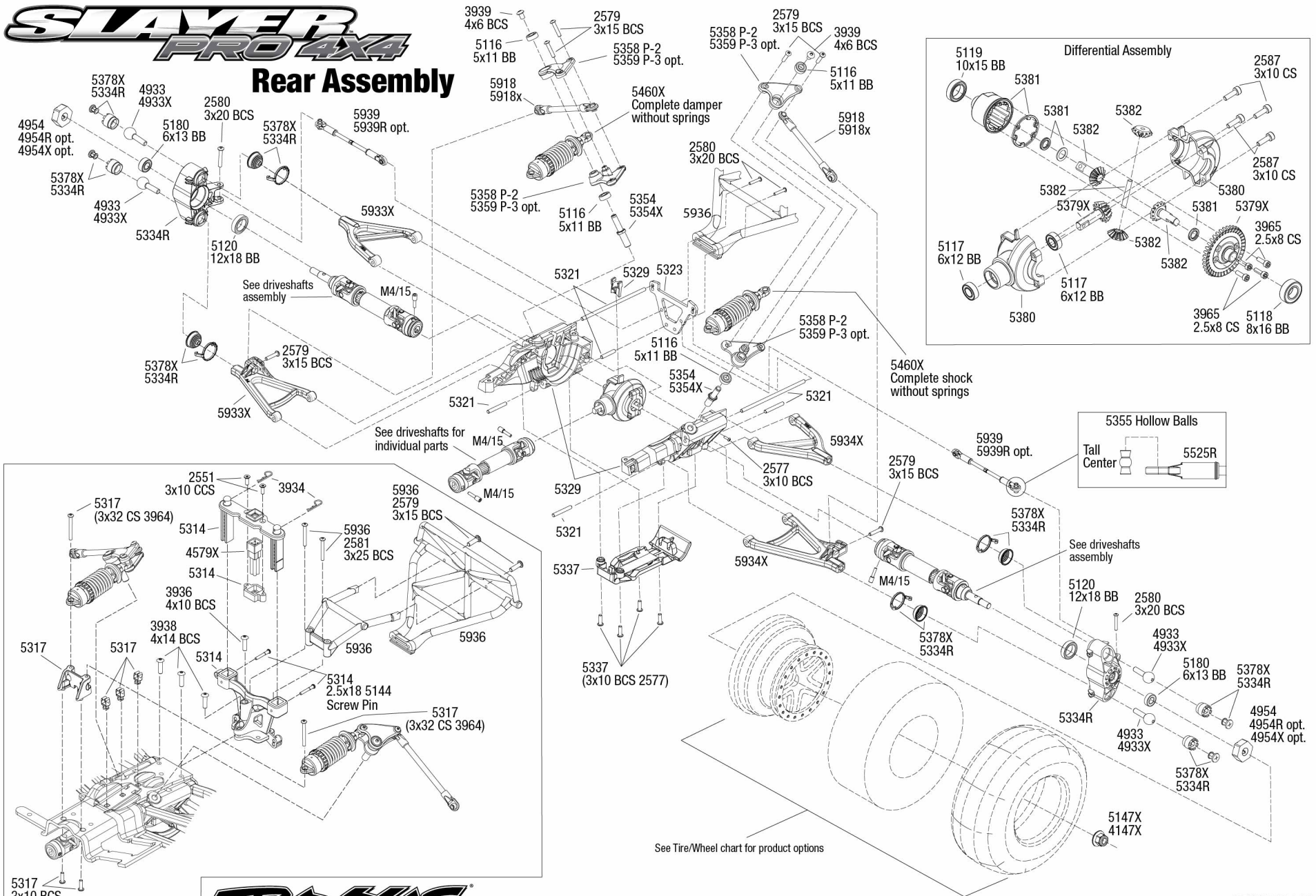
3232X Super-duty Long-Medium (stock)
 3232 Super-duty Long (opt.)
 3231 Heavy-duty Long (opt.)



Specifications on this page are subject to change without notice. Every attempt has been made to ensure the accuracy of this drawing, however Traxxas cannot be held responsible for typographical or other errors. See Parts List for a complete listing of optional accessories.

SLAYER PRO 4X4

Rear Assembly



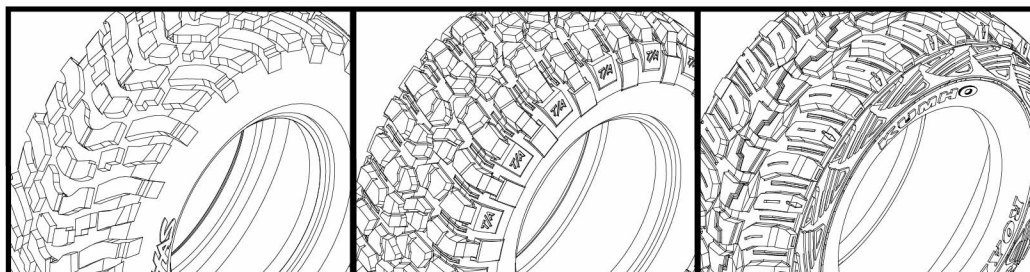
See Parts List for a complete listing of optional accessories.

Specifications on this page are subject to change without notice. Every attempt has been made to ensure the accuracy of this drawing, however Traxxas cannot be held responsible for typographical or other errors.

REV 160321-R01

SLAYER PRO 4X4

Wheel and Tire Chart



Traxxas SCT Tires with Foam Inserts

BFGoodrich® Mud Terrain™ T/A Tires with Foam Inserts

Kumho Road Venture MT tires with Foam Inserts

5871

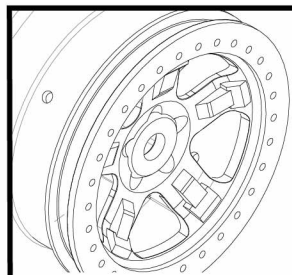
S1 Ultra-Soft Racing Compound
5871R

6871

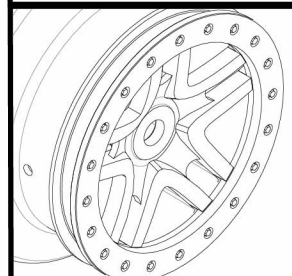
S1 Ultra-Soft Racing Compound
6871R

6870

S1 Ultra-Soft Racing Compound
6870R



Traxxas SCT Wheels (14mm hex)



Split Spoke Wheels (14mm hex)

Wheels*		Assembled Wheels and Tires		Assembled Wheels and Tires		Assembled Wheels and Tires	
Satin Beadlock/ Satin Wheel Slayer Front/Rear	5972	5973	-	-	-	-	-
Red Beadlock/ Satin Wheel Slayer Front/Rear	5972A	5973A	5973R	-	-	-	-
Black Beadlock/ Satin Wheel Slayer Front/Rear	5974	-	-	5975	-	5976	5976R
Red Beadlock/ Chrome Wheel Slayer Front/Rear	5974A	-	-	5975A	5975R	-	-

* Wheels and/or tires sold in pairs